

STATESMAN APPLIANCES



TVM07W 7KG VENTED TUMBLE DRYER

Instruction Manual

Serial number:

**Please read these instructions carefully before use and retain for future reference.
Before switching on your appliance – Always check for any damage that may have been caused in transit.**

CONTENTS

Important Safety Instructions	3-5	Preparation	10-11
- General Safety	3	Preparing Laundry for Drying	10
- Intended Use.....	5	Choosing the Appropriate Drying Cycle.....	11
- Children’s Safety	5	Operating Instructions	12-13
Technical Specification	6	Dryness Levels	12
Appliance Overview	7	Functions.....	12
Control Panel.....	7	Safety Reset	13
Installation	8-9	Cleaning and Maintenance	14
Where to Install the Appliance.....	8	Cleaning the Filter	14
Levelling the Appliance	8	Cleaning the Cabinet and Drum	14
Electrical Connection	8	Troubleshooting Guide	15
Fitting a Different Plug.....	8	Disposal Information	15
Flexible Vent Hose.....	9		

IMPORTANT SAFETY INSTRUCTIONS

Read and follow all of the instructions even if you feel you are familiar with the product, and find a place to keep this manual handy for future reference.

General Safety

When using electrical appliances, basic safety precautions should always be followed:

- Do not insert a damaged plug or a plug with a damaged cable into a socket.
- If the plug or the lead is damaged, they must be replaced by a qualified service engineer/ electrician.
- Do not plug into the power supply or touch the appliance while barefoot or with wet hands or feet.
- Do not remove the plug from the socket by pulling the cable. Always remove it by pulling the plug itself.
- In case of failure, unplug the machine. Do not attempt to repair it; consult the trouble shooting guide for possible solutions. If you still have a problem, call customer services on 0844 848 5861.
- Do not plug it in multiple socket or extension lead.
- After using the dryer, turn it off and unplug it. Keep the door closed to make sure that children do not use it as a toy.
- This appliance can be used by children aged from 8 years and above if they have been given supervision or instruction concerning the use of the appliance in a safe way and understand the hazards involved.
- This appliance can be used by persons with reduced physical, sensory or mental capabilities or lack of experience and knowledge if they have been given supervision or instruction concerning use of the appliance in a safe way and understand the hazards involved.
- Cleaning and user maintenance shall not be made by children
- Keep the appliance and its cord out of reach of children.
- Children shall not play with the appliance.
- The appliance must be installed correctly and have proper ventilation.
- Never direct the vent hose towards the air inlet vents on the back of the dryer.
- Never use the dryer on carpeting where the pile height would prevent air from entering the dryer from the base.
- Check to see if the dryer is empty before loading it and do not overload it.
- The back of the dryer could become very hot: do not touch it while the appliance is in use.
- Do not use the dryer unless the filter is securely in place.
- Do not load items that are dripping wet.
- Carefully check all instructions on clothing labels.
- Do not tumble dry large, very bulky items.
- Do not tumble dry acrylic fibres at high temperatures.
- Do not allow lint to collect around the dryer and clean the filter after each use.
- Never climb on top of the dryer. It could result in damage.
- Always follow electrical standards and requirements.

To minimise the risk of fire in your tumble dryer, the following should be observed:

- Tumble dry items only if they have been washed with detergent and water, rinsed and been through the spin cycle. It is a fire hazard to dry items that HAVE NOT been washed with water.
- Do not dry garments that have been treated with chemical products.
- Do not tumble dry items that have been spotted or soaked with vegetable or cooking oils, this constitutes a fire hazard. Oil-affected items can ignite spontaneously, especially when exposed to heat sources such as a tumble dryer. The items become warm, causing an oxidation reaction with the oil, Oxidation creates heat. If the heat cannot escape, items can become hot enough to catch fire. Piling, stacking or storing oil-affected items can prevent heat from escaping and so create a fire hazard. If it is unavoidable that fabrics containing vegetable or cooking oil or those that have been contaminated with hair care products be placed in a tumble dryer they should first be washed with extra detergent - this will reduce, but not eliminate the hazard. The cool tumble phase should be used to reduce the temperature of the items. They should not be removed from the dryer and piled or stacked while hot.
- Do not tumble dry items that have previously been cleaned in or washed in, soaked in or soiled with petrol/gasoline, dry cleaning solvents or other flammable or explosive substances. Highly flammable substances commonly used in domestic environments including cooking oil, acetone, denatured alcohol, kerosene, spot removers, turpentine, waxes and wax removers. Ensure these items have been washed in hot water with an extra amount of detergent before being dried in the tumble dryer.
- Do not tumble dry items containing foam rubber (also known as latex foam), or similarly textured rubber like materials. Foam rubber materials can, when heated, produce fire by spontaneous combustion.
- Fabric softener or similar products should not be used in a tumble dryer to eliminate the effects of static electricity unless the practice is specifically recommended by the manufacturer of the fabric softener product.
- Do not tumble dry undergarments that contain metal reinforcements, e.g. Bras with metal reinforcing wires. Damage to the tumble dryer can result if the metal reinforcements come loose during drying.
- Do not tumble dry rubber, plastic articles such as shower caps or babies waterproof covers, polythene or paper.
- Do not tumble dry rubber backed articles, clothes fitted with foam rubber pads, pillows, galoshes and rubber coated tennis shoes.
- Remove all objects from pockets, especially lighters.
- Complete each programme with the relative cool drying phase.


 **WARNING:** Never stop the dryer before the end of the drying cycle unless all items are quickly removed and spread out so that the heat is dissipated.

Intended Use

- This appliance is designed for domestic use only. It is not suitable for commercial use and must not be used outside of its intended use.
- This appliance is designed to be operated indoors at temperatures between 0°C and 35°C.
- This appliance must only be used for the drying of garments that are marked accordingly.
- Please check the label of clothing to ensure that each item can be put through the drying process.

Children's Safety

- Packaging materials are dangerous to children. Keep packaging materials in a safe place away from reach of children.
- The door may become extremely hot during operation; ensure that children and animals are kept away from the appliance.
- Do not let children play with the appliance.
- Check that the appliance is empty before loading it.

 **WARNING:** The appliance is heavy and care is needed when unpacking and moving it.
Get extra help and only hold the appliance by the casing – never hold by the door or detergent drawer.

TECHNICAL SPECIFICATION

Trade Mark	Statesman	
Model Name	TVM07W	
Dryer Type	Air-Vented	
Energy Efficiency Class - A (most efficient) to G (least efficient)	C	
Rated Power (W)	2000	
Voltage (V)	220-240	
Frequency (Hz)	50	
Energy consumption ^[1]	kWh/year	510
Power consumption in 'power off mode'	W	0.46
Power consumption in 'power left-on mode'	W	0.46
Duration of the 'power left-on mode'	Min	10
Energy consumption of the standard cotton program ^[2]		
At full load (Edry)	kWh/cycle	4.38
At partial Load (Edry)	kWh/cycle	2.38
Capacity ^[3]	kg	7
Program time of the standard cotton program		
Full load (Tdry)	Min	130
Partial load (Tdry1/2)	Min	74
Weighted program time of the standard cotton program at full and partial load	Min	100
Product Dimensions (H x W x D) (mm)	840 x 595 x 550	
Net Weight (kg)	33	
Gross Weight (kg)	36	
Noise emission	dB	69
Built-In	No	

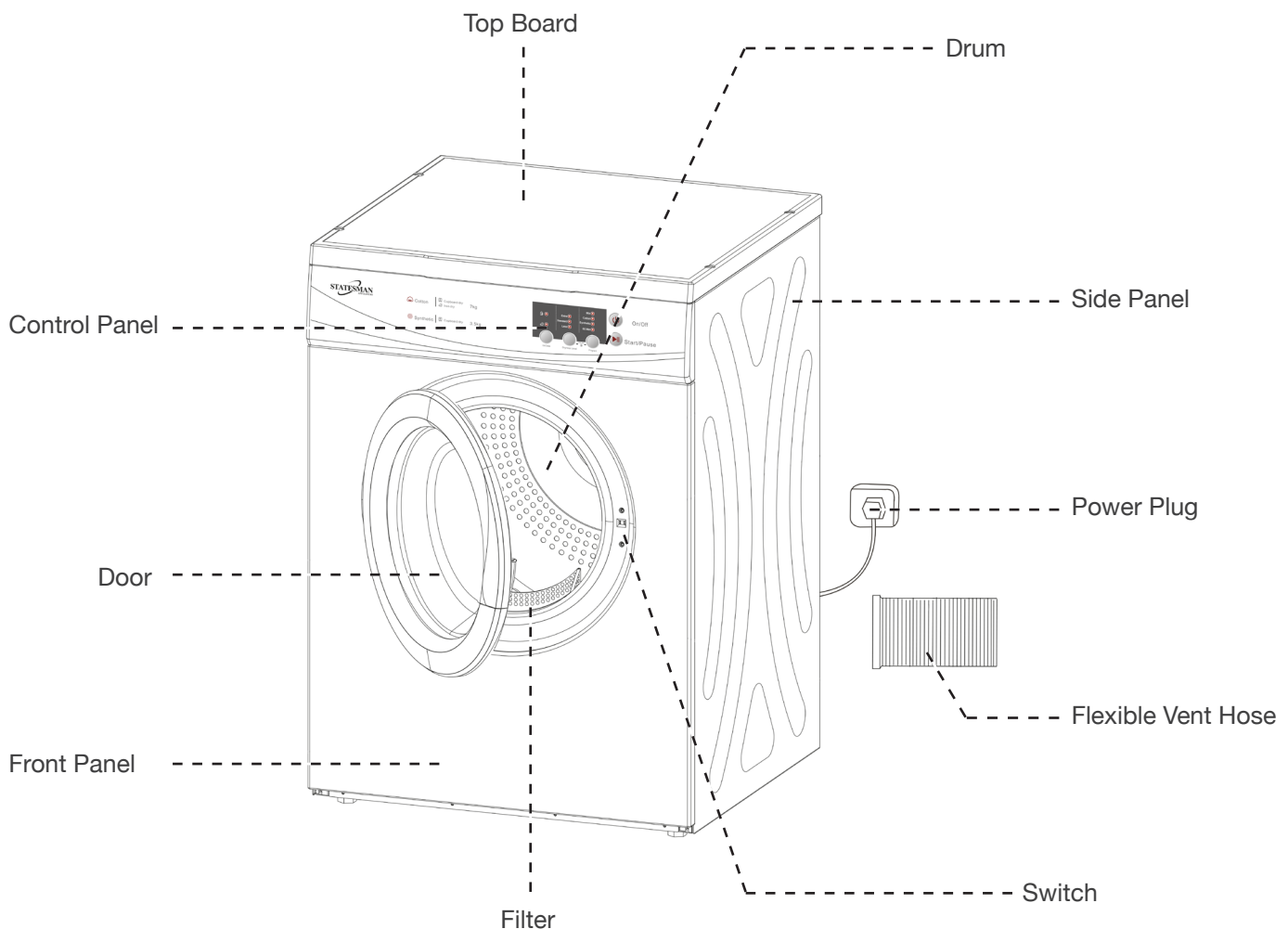
^[1] Energy consumption based on 160 drying cycles of the standard cotton program at full and partial load, and the consumption of the low-power modes. Actual energy consumption will depend on how the appliance is used.

^[2] Cotton + Standard program, which is the 'standard cotton program' used at full and partial load, is the standard drying program to which the information in the label and the fiche relates, that this program is suitable for drying normal wet cotton laundry and that it is the most efficient program in terms of energy consumption for cotton.

^[3] The rated capacity is the maximum capacity, make sure that the clothes which are loaded into the appliance do not exceed the rated capacity each time.

IMPORTANT NOTE: Technical specifications may be changed without prior notice to improve the quality of the product.

APPLIANCE OVERVIEW



Control Panel

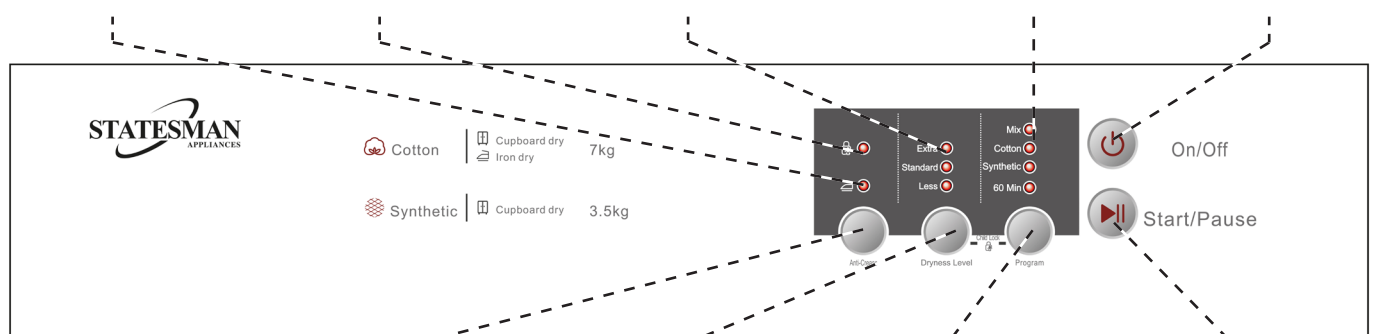
Anti-Crease Indicator
Illuminates to indicate that Anti-Crease function is selected

Child Lock Indicator
Illuminates to indicate that Child Lock function is active

Dryness Level Indicator
Illuminates to indicate which dryness level is selected

Program Indicator
Illuminates to indicate which program is selected

On/Off Button
Press to switch appliance between 'On' and 'Off.'



Anti-Crease Button
Press to turn Anti-Crease function on or off.

Dryness Level Button
Press repeatedly to select desired dryness level

Program Button
Press repeatedly to select desired program

Start/Pause Button
Press to start or pause drying cycle.

INSTALLATION

Where to Install the Appliance

- Install the appliance away from heat sources such as radiators, ranges, hobs and stoves.
- Leave a minimum gap of 10cm above and to the rear of the dryer to ensure sufficient air circulation.
- Do not install the appliance in a damp environment.
- Adequate ventilation must be available to ensure that there is no back flow of gasses into the room from appliances burning other fuels including open fires. It is advisable to leave a window open in the room when drying.
- Take care not to obstruct the air inlet which is located at the lower rear of the appliance on the left hand side as viewed from the rear.

Levelling the Appliance

The appliance must be level. This can easily be achieved by means of the four fully adjustable feet. Level from side to side first, then from front to back.

Electrical Connection

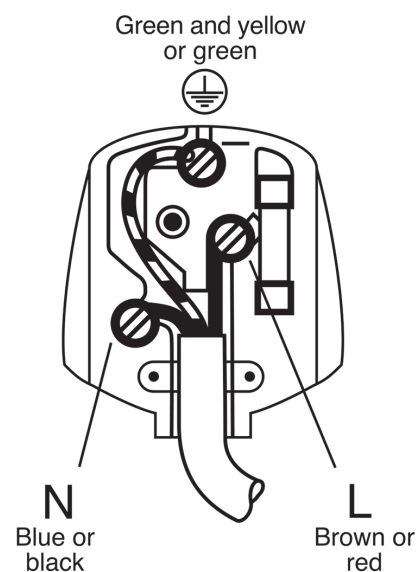
Please check the data plate to ensure that the supply voltage is correct for this appliance.

Fitting a Different Plug

As the colours of the wires in the mains lead of this appliance may not correspond with the coloured markings identifying the terminals on your plug, proceed as follows:

1. Connect the green-yellow or green (earth) wire to the terminal in the plug marked 'E' or with the symbol of f or coloured green and yellow or green.
2. Connect the blue (neutral) wire to the terminal in the plug marked 'N' or coloured black.
3. Connect the brown (live) wire to the terminal in the plug marked 'L' or coloured red.

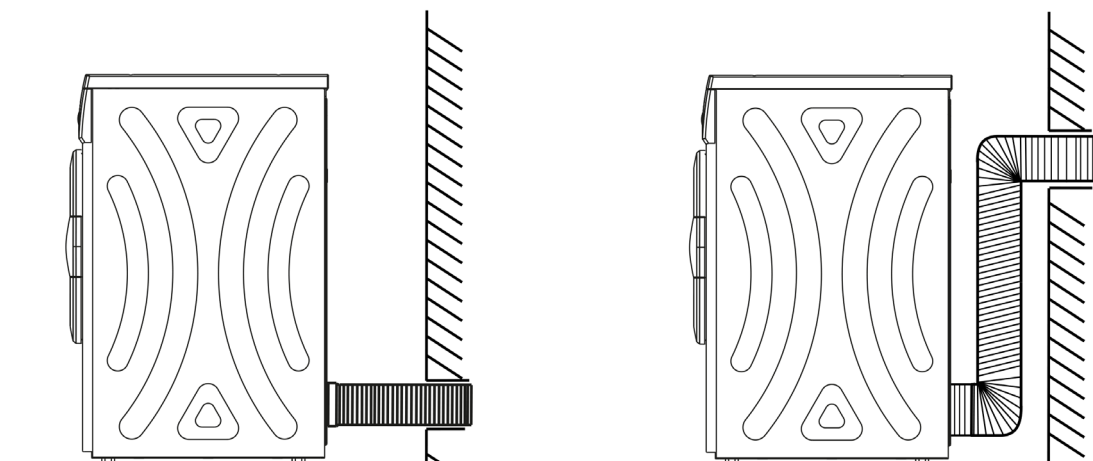
With the alternative plugs a 13A fuse must be fitted either in the plug or adaptor or in the main fuse box. If in doubt contact a qualified electrician.



⚠ WARNING: THIS APPLIANCE MUST BE EARTHED
Connect the appliance directly to the supply using the 13amp plug provided. Do not plug into an adaptor or extension lead.

Flexible Vent Hose

- Connect the flexible vent hose to the air outlet. This is located at the lower rear on the right hand side of the appliance as viewed from the rear.
- To optimize the performance of this appliance, always use the vent hose supplied.
- The telescopic flexible hose may be extended as necessary to reach the outside.
- It is recommended that the flexible vent hose is permanently connected to an outlet near the appliance where possible. Permanent vent systems for walls, windows and doors are available from your retailer. However, the tumble dryer will operate perfectly well if the flexible vent hose is passed through a partially opened window.
- The flexible vent hose must never be directed at the air inlet, which is located at the lower rear of the appliance on the opposite side to the outlet.
- The end of the flexible vent hose must always face slightly downwards to prevent condensation forming.
- Keep the length of the flexible hose as short as possible to prevent impedance of the air flow.
- Check the flexible vent hose frequently to ensure that it is clear of debris and fluff.
- Do not crush the flexible vent hose or allow it to be restricted by the installation as this will reduce the drying efficiency and may cause the dryer to malfunction or repeatedly activate the reset button.



PREPARATION

Preparing Laundry for Drying

- Check the symbols on the care labels of the laundry to ensure that they can be safely tumble dried
- Sort laundry according to type of fabric and dry like fabrics together.
- Empty all pockets and close zips, hooks etc.
- Remove excess water. Do not load items that are dripping wet.
- More thorough spinning in a washing machine prior to drying will reduce the drying time and save energy.
- Do not dry clothes that have been dry-cleaned.
- Check weight of laundry. Do not overload the dryer. Refer to the table below as a guide:

Blouse	Cotton	150g
Blouse	Other	100g
Dress	Cotton	500g
Dress	Other	350g
Jeans	Denim	700g
Shirt	Cotton	300g
Shirt	Other	200g
T Shirt		125g
Duvet Cover - Double	Cotton	1500g
Duvet Cover - Double	Other	1000g
Large Tablecloth		700g
Small Tablecloth		250g
Tea Towel		100g
Bath Towel		700g
Hand Towel		350g
Double Bed Sheet		500g
Single Bed Sheet		350g

Note: These weights are approximate and given as a guide only – weights will vary considerably according to size and type of material.

Choosing the Appropriate Drying Cycle

Note: Use the type and capacity of the clothing to select the most suitable program and dryness level:

Program	Clothing Type	Approximate Amount of Remaining humidity (%)	Capacity (kg)	Dryness Level
Cotton	Cotton	70	7 / 3.5 / 1	Ready to Wear
Cotton		60	7 / 3.5/1	Standard Cotton
Cotton			7 / 3.5	Easy Iron
Mix	Mix	70	7 / 3.5 / 1	Ready to Wear
Mix		60	7 / 3.5 / 1	Standard Cotton
Synthetic	Synthetic	50	3.5 / 1	Ready to Wear
Synthetic		40	3.5 / 1	Standard Cotton
1Hr	Cotton	--	1	--

[1] The inside temperature and humidity will affect drying time

[2] Check the clothes label to choose the right temperature and time according to the table. Certain types of clothing may shrink or become damaged if placed in a tumble dryer. If in doubt, do not load into the appliance.

[3] If the load is less than 0.5kg, select 1Hr program and 'Ready to Wear' dryness level.

[4] If some items are still too damp when the cycle is completed, simply put them through a short extra cycle, remembering that the last 10 minutes of each cycle is the cool down mode and will not dry the laundry.

OPERATING INSTRUCTIONS

- Connect the appliance to a suitable power supply.
- Open the door and check that the filter has been cleaned and is in position between the cabinet and the drum.
- Check that the dryer is empty.
- Place the laundry in the drum.

Note: Do not overload the dryer

- Close the door.
- Press the On/Off button to switch the appliance on.
- Press the Program button to select the drying program as required (see table on page 10)
- Press the Dryness Level button to select the dryness level as required (see table on page 10)
- Press Anti-Crease button if this function is desired.
- Press the Start/Pause button to start the drying cycle.

Note: When drying garments for the first time, check the clothing label carefully and follow any instructions given. Always set a lower drying time and temperature if in doubt and run an extra cycle for any garments that require more drying.

- The last 10 minutes of each cycle runs with no heat. This is the cool down cycle and should be allowed to be completed.
- When the dryer reaches the end of the program, it will stop automatically.
- Remove the laundry from the drum.
- Disconnect the dryer from the power supply.
- Clean and replace the filter.

Dryness Levels

Ready to Wear: The highest level of dryness, enables garments to be worn almost immediately after the cycle has finished.

Standard Cotton: The standard dryness level; unload garments after the cycle has finished and allow to finish drying naturally in the cupboard.

Easy Iron: The lowest level of dryness, leaves garments still slightly damp to ensure they are easier to iron.

Functions

Anti-Crease: Normally, clothes should be removed from the appliance as soon as possible after the cycle has finished, to prevent the items becoming too creased. When the Anti-Crease function is selected, it extends the cool down cycle for up to 30 minutes, which allows later removal of clothes from the drum without excessive creasing.

Child Lock: Use the Child Lock function to prevent children from tampering with the machine. Thus you can avoid any changes in a running program. Press and hold both the Program and Dryness Level buttons together to activate the Child Lock function.

Note: The Child Lock disables every button except On/Off. When you switch on the machine again, the program will resume from where it has stopped.

Safety Reset: The dryer is fitted with a safety reset button which is activated by temperature. The small white reset button is located on the back panel.

The most common reason for the dryer to overheat is a blocked filter. Clean the lint filter after each load to prevent the dryer from overheating.

Reasons for overheating can be:

- Blocked filter
- Exhaust outlet or vent hose blocked or crushed at rear
- Poor ventilation in the room – open a window or door
- Lightweight garment such as a handkerchief sucked over the filter.

Note: Reset the dryer by pressing in the reset button until it clicks.

CLEANING AND MAINTENANCE

Cleaning the Filter

The filter is a very important part of the appliance. Its function is to collect lint and fluff during drying. Lint on the filter reduces airflow, which reduces the efficiency of the appliance and may cause it to malfunction.

Should the filter become clogged, the flow of air in the appliance is considerably reduced, which lengthens drying times, uses considerably more energy and could overheat, causing the reset button to activate.

When drying large loads of laundry that could result in higher fluff levels such as towels etc, it may be necessary to check the filter once during the cycle in addition to cleaning it afterwards. Always clean the filter if the reset button has triggered.

To clean the filter:

- Open the door – the filter is located in the bottom of the space between the drum and the cabinet.
- Remove the filter by pulling upwards on the extension piece.
- Open the filter by unhinging away from the extension piece.
- Carefully remove lint with a slightly damp cloth or vacuum cleaner. If the filter is immersed in water or otherwise saturated, allow to dry completely before refitting.
- Replace the filter correctly in position by pushing fully downwards. The taller extension piece of the filter must be fitted innermost. Otherwise the door will not close and the filter or door could become damaged.

Cleaning the Cabinet and Drum

- Disconnect the appliance from the power supply.
- Clean the cabinet and drum using a warm, damp cloth. Do not use chemicals or abrasives that may damage the surface of the appliance.
- Allow the drum to dry before closing the door.

TROUBLESHOOTING

If you are having problems with your appliance, please use our troubleshooting guide below. If you are unable to resolve the issue using this guide please ring our Customer Service Department on 0844 848 5861. Please have the model code and purchase information available.

Problem	Possible Cause	Possible Solution
Will not start.	Power cut.	Wait for power to be restored
	Not plugged in or switched on.	Plug in and switch on.
	Reset button triggered.	Check and clean filter. Check vent hose is not crushed. Check air supply to room. Check for loose lightweight items covering the filter.
	No power available.	Check power supply.
Hot smell.	Filter is dirty.	Clean filter.
	Duct is dirty.	Remove and clean exhaust duct.
Clothes are too dry or shrink.	Temperature is too high for clothes or wrong program is selected.	Use the table on page 10 as a reference and always check the clothing label to ensure the program and dryness level is set correctly.
Clothes are too wet.	Temperature is too low or wrong program is selected.	

DISPOSAL

The European Directive 2012/19/EU on Waste Electrical and Electronic Equipment (WEEE), requires that old household electrical appliances must not be disposed of in normal unsorted municipal waste.

Old appliances must be collected separately in order to optimise the recovery and recycling of the materials they contain and reduce the impact on human health and the environment.

The crossed out “wheeled bin” symbol on the product reminds you of your obligation, that when you dispose of the appliance it must be separately collected. Consumers should contact their local authority or retailer for information concerning the correct disposal of their old appliance.





**38 Bluestem Road,
Ransomes Europark
Ipswich, IP3 9RR**

0844 848 5861

Disclaimer: Statesman operate a policy of continual improvement and development.
We therefore reserve the right to change/alter the specification and appearance of our appliances without prior notice.
All diagrams and images shown in this manual are for illustration purposes only.