

CKSTM-G01-B

重要度

[B]

A

A

B

B

C

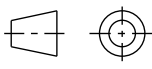
C

D

D

### 技术要求

- 1. 颜色要求：封面：黑白印刷  
内页：黑白印刷；  
批量时要求统一，不能有明显色差，
- 2. 版面内容：  
图案与文字应印刷清晰、规范，不能有印刷缺陷；
- 3. 页面印刷：双面印刷；
- 4. 成型方式：骑马钉；
- 5. 成品尺寸：A5 (140X210)，  
尺寸公差按GB/T 1804-c；
- 6. 批量生产前须送样确认。

|          |  |    |     |       |           |   |    |             |     |
|----------|--|----|-----|-------|-----------|---|----|-------------|-----|
|          |  |    |     |       |           | 封面：80g双胶<br>内页：80g双胶  |    | 广东奥马冰箱有限公司  |     |
| 借(通)用件登记 |  |    |     |       |           |   |    |             |     |
|          |  | 标志 | 处数  | 更改文件号 | 签名        | 日期  | 重量 | 比例          | 说明书 |
| 出图审查     |  | 设计 |     | 会签    |           |   |    | CKSTM-G01-B |     |
|          |  | 制图 | 陈家怡 | 标准化   | 刘金利       | 共 1 张 第 1 张   |    |             |     |
| 日期       |  | 审核 | 黄英婷 | 批准    | 李梅方       | 视角符号  |    |             |     |
|          |  | 工艺 |     | 日期    | 2020-8-24 |   |    |             |     |

1

2

3

4

# STATESMAN

---



**TF170LWE**  
**60CM UPRIGHT FREEZER**

## Instruction Manual

Serial Number:

**Please read these instructions carefully before use and retain for future reference.  
Before switching on your appliance – Always check for any damage that may have been caused in transit.**

## **CONTENTS**

|  |              |
|--|--------------|
| <b>Important Safety Instructions .....</b> | <b>3-5</b>   |
| <b>Specification .....</b>                 | <b>6</b>     |
| <b>Appliance Overview.....</b>             | <b>7</b>     |
| <b>Temperature Setting .....</b>           | <b>8</b>     |
| <b>Installation.....</b>                   | <b>9-12</b>  |
| <b>Operating Instructions .....</b>        | <b>13-14</b> |
| <b>Cleaning and Maintenance.....</b>       | <b>15-16</b> |
| <b>Plug Fuse Replacement.....</b>          | <b>16</b>    |
| <b>Troubleshooting Guide.....</b>          | <b>17</b>    |
| <b>Disposal Information.....</b>           | <b>18</b>    |

## IMPORTANT SAFETY INSTRUCTIONS

**Read and follow all of the instructions even if you feel you are familiar with the product and find a place to keep this manual handy for future reference.**

**Important:** This product is intended for domestic use only, and for food storage only. When using electrical appliances, basic safety precautions should always be followed:

- Do not operate the appliance with a damaged cord or plug, after it malfunctions or has been dropped or damaged in any way. All electrical repairs must be carried out by a qualified electrician. Inadequate repairs may result in a major source of danger for the user and invalidate the warranty.
- Check the voltage of the appliance (which is located on the rating label) matches the household voltage.
- Use of an extension cord is not recommended with this product.
- This appliance should only be used by adults.
- Cleaning and user maintenance shall not be made by children
- Keep the appliance and its cord out of reach of children.
- Children shall not play with the appliance.
- Keep all packaging well away from children, due to the risk of suffocation.
- This appliance cannot be used by persons with reduced physical, sensory or mental capabilities or lack of experience and knowledge.
- Always unplug the appliance before attempting to move it. When disconnecting from the electricity supply, pull the plug and not the cord.
- This product is for indoor use only.
- Do not store explosive substances such as aerosol cans

with a flammable propellant, in this appliance.

- Always keep the ventilation openings clear of obstruction. Should they become blocked, clear them straight away.
- The refrigerant of this product is R600a which is flammable. Ensure when moving the appliance or during installation that the cooling system does not get damaged.



**WARNING:** Do not use mechanical devices or other means to accelerate the defrosting process, other than those recommended by the manufacturer.



**WARNING:** The appliance is heavy and care is needed when unpacking and moving. Get extra help and only hold the appliance by the casing – never hold by the door or the trim.



**WARNING:** Risk of child entrapment.

Before disposal of the old appliance, make sure that any locking mechanisms have been broken off, doors have been removed but shelves have been left in so that children cannot easily climb inside. Also remove the plug so the appliance is unusable.

- Any electrical components (plug, power cord, compressor etc.) must be replaced by a qualified electrician.
- The light bulb supplied with this appliance is specific to the appliance and not usable for domestic lighting.
- Do not touch the light bulb if it has been on because it could be very hot.
- The refrigerant isobutane (R600a) is contained within the refrigerant circuit of the appliance, which is flammable.
  - Avoid open flames and sources of ignition
  - Thoroughly ventilate the room in which the appliance is situated
- It is dangerous to alter the specifications or modify this product in any way. Any damage to the cord may cause a short circuit, fire and/or electric shock.

- This appliance is intended to be used in household and similar environments such as:
  - Staff kitchen areas in shops, offices and other working environments
  - Farm houses and by clients in hotels, motels and other residential type environments
  - Bed and breakfast type environments
  - Catering and similar non-retail environments
- Make sure that the power plug is not squashed or damaged by the back of the appliance. A squashed or damaged power plug may overheat and cause a fire.
- Make sure that you have easy access to the mains plug of the appliance at all times.
- If the power plug socket is loose, do not insert the power plug. There is a risk of electric shock or fire.
- Do not remove or touch items from the freezer compartment if your hands are damp/wet, as this could cause skin abrasions or frost/freezer burns.
- Avoid prolonged exposure of the appliance to direct sunlight.
- Do not put anything hot on the plastic parts in the appliance.
- Do not place food products directly against the rear wall.
- Frozen foods must not be re-frozen once they have been thawed out.
- Store pre-packed frozen food in accordance with the frozen food manufacturer's instructions.
- Do not place carbonated or fizzy drinks in the freezer compartment as it creates pressure on the container, which may cause it to explode, resulting in damage to the appliance.
- The refrigerating appliance is not intended to be used as a built-in appliance, unless specifically shown as such into its instruction manual.
- The drawers, baskets and shelves should be kept in their current position unless otherwise specified in this document.

# SPECIFICATION

|   |                 |
|---|-----------------|
| Brand   | Statesman       |
| Model Number  | TF170LWE        |
| Category Type   | Upright Freezer |
| Energy Efficiency Class   | F               |
| Annual Energy Consumption   | 267 kWh/annum   |
| Freezing Capacity   | 11kg/24hr       |
| Fridge Storage Volume (Litre)   | N/A             |
| Freezer Storage Volume (Litre)  | 242             |
| Applicable Star Rating of Freezer Compartment   | 4*              |
| Refrigeration System (Frost Free, Static, Total No Frost)                             | Static          |
| Temperature Rise Time   | 12 Hours        |
| Climate Class   | N, ST           |
| This appliance is intended to be used at an ambient temperature between 16°C and 38°C |                 |
| Noise Emission (dB)   | 40              |
| Built-in appliance  | N/A             |
| Voltage (V)   | 220~240V        |
| Wattage Power (W)   | 100W            |
| Frequency (Hz)  | 50Hz            |

## Ambient Room Temperature Limits

Install this appliance at a location where the ambient temperature corresponds to the climate class indicated on the rating plate of the appliance:

for refrigerating appliances with climate class:

-extended temperate: this refrigerating appliance is intended to be used at ambient temperatures ranging from 10 °C to 32 °C; (SN)

-temperate: this refrigerating appliance is intended to be used at ambient temperatures ranging from 16 °C to 32 °C;(N)

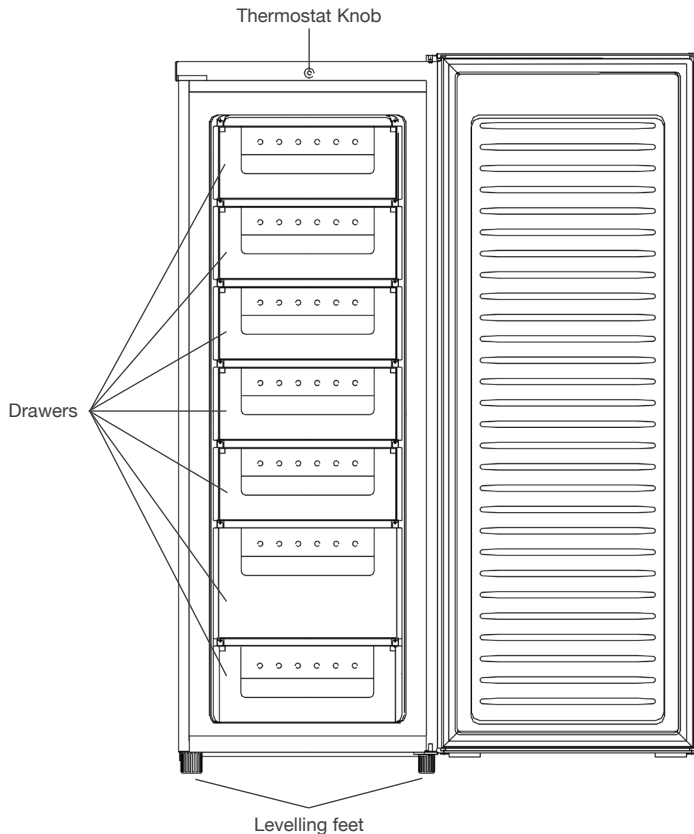
-subtropical: this refrigerating appliance is intended to be used at ambient temperatures ranging from 16 °C to 38 °C;(ST)

-tropical: this refrigerating appliance is intended to be used at ambient temperatures ranging from 16 °C to 43°C;(T)

Specifications are measured according to below standards: ERPDirective 2009/125/EC, EU2017/1369, EU 2019/2016, EU2019/2019: EN52552-1/-2/-3: 2020

**IMPORTANT NOTE:** Technical specifications may be changed without prior notice to improve the quality of the product.

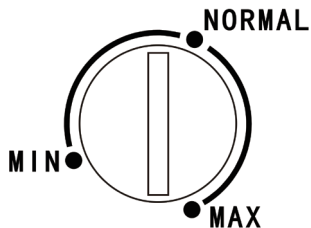
# APPLIANCE OVERVIEW



Note: Above picture is for reference only

## Temperature Setting

- Plug in your appliance. The internal temperature is controlled by a thermostat. There are 3 settings: **MIN**, **NORMAL** and **MAX**. **MIN** is the warmest setting and **MAX** is the coldest setting.
- The appliance may not operate at the correct temperature if it is in a particularly hot environment or if you open the door often.






**Temperature**

| Temperature Setting Recommendation |                     |                    |
|------------------------------------|---------------------|--------------------|
| Environment Temperature            | Freezer Compartment | Fridge Compartment |
| Summer (Above 38°C)                |                     | /                  |
| Normal                             |                     | /                  |
| Winter (Below 16°C)                |                     | /                  |

# INSTALLATION

## Packaging Materials

The materials with the  symbol are recyclable. Dispose of the packaging in a suitable collection container to recycle it.

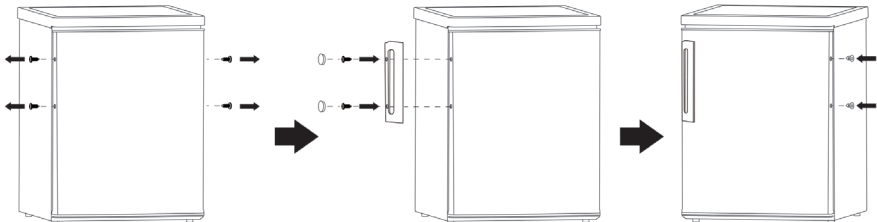
## Disposal Of The Appliance

1. Disconnect the mains plug from the mains socket.
2. Cut off the mains cable and discard it.
3. Make sure that any locking mechanisms have been broken off, doors have been removed but shelves have been left in so that children cannot easily climb inside.

## Unpacking

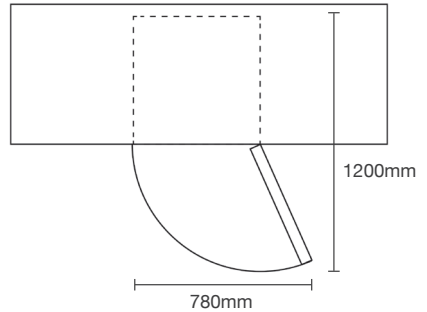
- Unpack the appliance and check if there are damages on it. Do not connect the appliance if it is damaged. Report possible damages immediately to the place you bought it. In that case retain packing.
- It is advisable to wait at least four hours before connecting the appliance to allow the oil to flow back into the compressor.
- Adequate air circulation should be allowed around the appliance, failure to do this can lead to overheating.
- Wherever possible the spacers of the product should be against a wall to avoid touching or catching warm parts (compressor, condenser) to prevent possible burns.
- The appliance must not be located close to radiators or cookers.
- Make sure that the mains plug is accessible after the installation of the appliance.

## Install External Door Handle



## Space Requirement

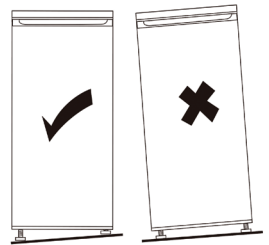
- Keep enough space for the door to open.
- Keep at least 50mm gap at two sides and the back.



## Levelling

If the floor is not perfectly horizontal, you can adjust the height by tightening or loosening the two levelling feet at the front of the appliance.

**Note:** If the appliance is not level, the doors and magnetic seal alignments will not be covered properly.



## Location

The appliance should be installed well away from sources of heat such as radiators, boilers, direct sunlight etc. Ensure that air can circulate freely around the back of the cabinet. To ensure best performance, if the appliance is positioned below an overhanging wall unit, the minimum distance between the top of the cabinet and the wall unit must be at least 100mm. Ideally, however, the appliance should not be positioned below overhanging wall units. Accurate leveling is ensured by one or more adjustable feet at the base of the cabinet.



**WARNING:** It must be possible to disconnect the appliance from the mains power supply; the plug must therefore be easily accessible after installation.

## Electrical Connection

Before plugging in, ensure that the voltage and frequency shown on the rating plate correspond to your domestic power supply. The appliance must be earthed. The power supply cable plug is provided with a contact for this purpose. If the domestic power supply socket is not earthed, connect the appliance to a separate earth in compliance with current regulations, consulting a qualified electrician.

The manufacturer declines all responsibility if the above safety precautions are not observed.

This appliance complies with the E.E.C. Directives.

## Reverse the Door

The appliance door can be fitted to open on either the left or the right depending on its location.

The appliance will have to be tilted and supported in order to carry this out. It is advisable to get some help during this procedure

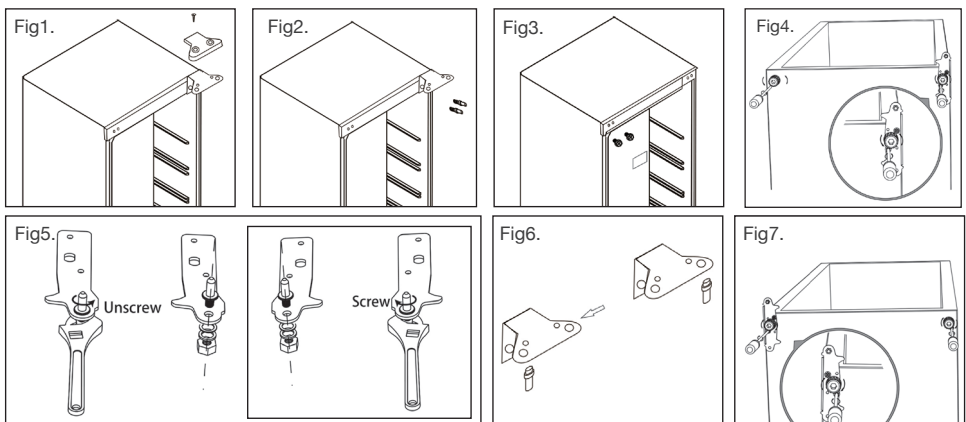
**WARNING:** Do not lay the appliance flat as this may damage the coolant system. Take care when fitting and tightening screws.

To change the direction of the door, please follow these instructions:

1. Ensure the appliance is unplugged and empty.
2. The top hinge holds the door in place. Unscrew the top hinge cover (Fig 1.)
3. Open the door and unscrew the top hinge (Fig 2.)
4. With help, carefully tilt the unit backwards and rest the unit on something solid to stop slipping.
5. Remove the door from appliance and store in safe place.
6. Remove the cover and screws on the left side and re-fit on the right side. (Fig 3.)
7. Remove the two levelling feet.
8. Unscrew the door bottom hinge and left foot base. (Fig 4.)

**Caution!** If there is a screw on the left front corner then remove it first before installing hinge.

9. Unscrew and remove bottom hinge pin, turn bracket over and replace it (Fig 5.)
10. Install the hinge on left side and the foot base on the right side. Refit the levelling feet with their original parts (Fig 6.)
11. Unscrew the top hinge pin and re-fit on the left side. (Fig 7.)
12. Stand the appliance up and put the door on the bottom hinge. Make sure the bottom hinge core is inserted in the door hole.



# OPERATING INSTRUCTIONS

## First Use

Before using the appliance for the first time, wash the interior and all internal accessories with lukewarm water and some neutral soap, then dry thoroughly.

**IMPORTANT:** Do not use detergents or abrasive powders, as these will damage the finish.

## Freezing Fresh Food

- The appliance is suitable for freezing fresh food and storing frozen and deep-frozen food for a long time.
- Place the fresh food to be frozen in the bottom compartment.
- The maximum amount of food that can be frozen in 24 hours is specified on the rating plate.

## Storing Frozen Food

When first starting-up or after a period out of use, before storing any products let the appliance run for at least 2 hours on the highest setting.

**IMPORTANT:** In the event of accidental defrosting, for example the power has been off for longer than the value shown in the technical characteristics chart under “rising time”, the defrosted food must be consumed quickly or cooked immediately and then re-frozen (after cooked).

## Thawing

Deep-frozen or frozen food, prior to consumption, can be thawed in a fridge or at room temperature, depending on the time available for this operation.

Small pieces may even be cooked still frozen, directly from the freezer. In this case, cooking will take longer.

## Hints for Freezing

To help you make the most of the freezing process, here are some important hints:

- The maximum quantity of food which can be frozen in 24 hrs is shown on the rating plate
- Only freeze top quality, fresh and thoroughly cleaned, foodstuffs
- Prepare food in small portions to enable it to be rapidly and completely

frozen and to make it possible subsequently to thaw only the quantity required

- Wrap up the food in aluminium foil or polythene and make sure that the packages are airtight
- Do not allow fresh, unfrozen food to touch food which is already frozen, thus avoiding a rise in temperature of the latter
- Lean foods store better and longer than fatty ones; salt reduces the storage life of food
- It is advisable to show the freezing in date on each individual pack to enable you to keep tab of the storage time

### **Hints for Storage of Frozen Food**

To obtain the best performance from this appliance, you should:

- Make sure that the commercially frozen foodstuffs were adequately stored by the retailer
- Be sure that frozen foodstuffs are transferred from the food store to the freezer in the shortest possible time
- Not open the door frequently or leave it open longer than absolutely necessary
- Once defrosted, food deteriorates rapidly and cannot be refrozen
- Do not exceed the storage period indicated by the food manufacturer

### **Service**

Any electrical work required to do the servicing of the appliance should be carried out by a qualified electrician or competent person.

This product must be serviced by an authorized Service Centre, and only genuine spare parts must be used.

### **Energy Saving**

- Don't put hot food in the appliance
- Don't pack food close together as this prevents air circulating
- Make sure food doesn't touch the back of the compartment
- If electricity goes off, don't open the door
- Don't open the door frequently
- Don't keep the door open for long periods of time

## CLEANING AND MAINTENANCE

- Before maintenance, switch off the appliance and disconnect the mains plug from the mains socket.
- Do not clean the appliance with metal objects.
- Do not use sharp objects to remove frost from the appliance. Use a plastic scraper.
- Regularly examine the drain in the refrigerator for defrosted water. If necessary, clean the drain. If the drain is blocked, water will collect in the bottom of the appliance.

For hygienic reasons the appliance interior, including interior accessories, should be cleaned regularly.



**CAUTION:** The appliance must not be connected to the mains during cleaning. Danger of electrical shock! Before cleaning, switch the appliance off and remove the plug from the mains. Never clean the appliance with a steam cleaner. Moisture could accumulate in electrical components, danger of electrical shock! Hot vapors can lead to the damage of plastic parts. The appliance must be dry before it is switched on.

**IMPORTANT:** Oils and organic solvents can damage plastic parts, e.g. lemon juice or the juice from orange peel, butyric acid, cleanser that contains acetic acid.

- Do not allow such substances to come into contact with the appliance
- Do not use any abrasive cleaners
- Remove the food from the freezer. Store them in a cool place, well covered
- Switch the appliance off and remove the plug from the mains
- Clean the appliance and the interior accessories with a cloth and lukewarm water. After cleaning wipe with fresh water and rub dry
- Accumulation of dust at the condenser increases energy consumption. For this reason carefully clean the condenser at the back of the appliance once a year with a soft brush or a vacuum cleaner
- After everything is dry, switch the appliance back on and leave empty on **MAX** for at least 2 hours



## Defrosting of the Freezer

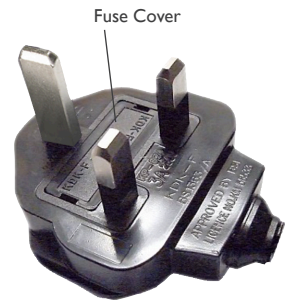
The freezer compartment, however, will become progressively covered with frost. This should be removed. Never use sharp metal tools to scrape off frost from the evaporator as you could damage it. However, when the ice becomes very thick on the inner liner, complete defrosting should be carried out as follows:

- Switch off the appliance at the mains socket
- Pull out the plug from the socket
- Remove all stored food, wrap it in several layers of newspaper and put it in a cool place
- Keep the door open, and place a basin underneath the appliance to collect the defrost water
- When defrosting is completed, dry the interior thoroughly
- Replace the plug in the power socket to run the appliance again.

## PLUG FUSE REPLACEMENT

### Fuse Replacement (Class I)

This appliance must be earthed. Remove the fuse cover with a small flat head screw driver. Take out the fuse and replace with a new fuse of the same Amp. Replace the fuse cover and push back into place.



## TROUBLESHOOTING

If you are having problems with your appliance, please use our troubleshooting guide below. If you are unable to resolve the issue using this guide please ring our Customer Service Department on 01473 277 508. Please have the model code and purchase information available.

| <b>Problem</b>                           | <b>Possible Cause</b>  | <b>Solution</b>  |
|--|--|--|
| Appliance does not work                  | Mains plug is not plugged in or is loose   | Insert mains plug  |
|  | Fuse has blown or is defective   | Check fuse, replace if necessary   |
|  | Socket is defective  | Mains malfunctions are to be corrected by an electrician   |
| Appliance freezes too much               | Temperature is set too cold or the appliance runs at MAX setting   | Turn the temperature regulator to a warmer setting temporarily   |
| The food is not frozen enough            | Temperature is not properly adjusted   | Refer to the Temperature Setting section of the manual   |
|  | Door was open for an extended period of time   | Open the door only as long as necessary  |
|  | A large quantity of food was placed in the appliance in the last 24 hours                                    | Turn the temperature regulator to a colder setting temporarily   |
|  | The appliance is located near a heat source  | Refer to the Installation section of the manual  |
| Heavy build-up of frost on the door seal | Door seal is not air-tight   | Carefully warm the leaking section of the door seal with a hair dryer (on a cool setting) whilst shaping the warm door seal by hand to ensure that it sits correctly |
| Unusual noises                           | Appliance is not level   | Re-adjust the feet   |
|  | The appliance is touching the wall or other objects  | Move the appliance slightly  |
|  | A component, e.g. a pipe, on the rear of the appliance is touching another part of the appliance or the wall | If necessary, carefully bend the component out of the way  |
| Side panels are hot                      | It's normal. Heat exchange parts are in the sides  | Take care when touching sides  |

## DISPOSAL

The European Directive 2012/19/EU on Waste Electrical and Electronic Equipment (WEEE), requires that old household electrical appliances must not be disposed of in normal unsorted municipal waste.



Old appliances must be collected separately in order to optimise the recovery and recycling of the materials they contain and reduce the impact on human health and the environment.

The crossed out “wheeled bin” symbol on the product reminds you of your obligation, that when you dispose of the appliance it must be separately collected. Consumers should contact their local authority or retailer for information concerning the correct disposal of their old appliance.

Doors and lids of the refrigeration appliance should be removed before disposal in the landfill, to avoid children or animals getting trapped inside.





The model information can be retrieved using the QR-Code reported in the energy label.  
The label also includes the model identifier that can be used to consult the portal of the registry at  
<https://eprel.ec.europa.eu>

This product contains a light source of energy efficiency class G (if present).

**STATESMAN**  
kitchen appliances

**38 Bluestem Road,  
Ransomes Europark  
Ipswich, IP3 9RR**

CKSTM-G01-B