

**CGH60GS / CGH90GS  
CHIMNEY HOOD STAINLESS STEEL  
CURVED GLASS**

# Instruction Manual

Serial number:

Please read these instructions carefully before use and retain for future reference.  
Before switching on your appliance – Always check for any damage that may have been caused in transit.

## CONTENTS

Important Safety Instructions .....	3
Specification.....	4-5
Appliance Overview.....	6
Installation .....	6-8
Operating Instructions.....	9
Cleaning and Maintenance.....	9-10
Fuse Replacement .....	11
Disposal Information .....	11
Trouble Shooting Guide.....	12

# IMPORTANT SAFETY INSTRUCTIONS

Read and follow all of the instructions even if you feel you are familiar with the product, and find a place to keep this manual handy for future reference.

**Important:** This product is intended for indoor domestic household use only.

When using electrical appliances, basic safety precautions should always be followed:

1. Only a qualified engineer can install, connect or repair this appliance. Do not install or operate the appliance if it has been damaged.
2. Ensure the appliance is installed according to the installation instructions provided.
3. Do not change the specifications or modify this appliance.
4. Before installing ensure to turn off the gas and electricity supply to the appliance.
5. Check the voltage of the appliance matches the household voltage, which is located on the rating label. The operating voltage of the appliance is 220-240V at 50Hz. Check the rating label and specification page for further information.
6. All appliances containing any electrical components must be earthed.
7. This appliance is not intended for use by persons (including children) with reduced physical, sensory or mental capabilities, or lack of experience and knowledge.
8. Cleaning and user maintenance shall not be made by children
9. Keep the appliance and its cord out of reach of children.
10. Children shall not play with the appliance.
11. The appliance plug must be accessible after installation. Always unplug the appliance before cleaning.
12. Use of an extension cord is not recommended with this product.
13. The appliance is not intended to be operated by means of an external timer or remote control.
14. When disconnecting from the electricity supply, pull the plug, not the cord.
15. There should be adequate ventilation of the room when using the appliance along with other appliances burning gas or other fuels.
16. Regular cleaning should be maintained to prevent the risk of fire.
17. It is not recommended to expose the appliance to a direct heat source from cooking appliances below i.e. naked flame from a gas burner or heat from electric hob zones without a pan on.
18. If the cooker hood is installed for use above a gas appliance then the provision for ventilation must be in accordance with the Gas Safety Codes of Practice, the Gas Safety (Installation & Use) Regulations, the Building Regulations issued by the Department of the Environment, the Building standards (Scotland) (Consolidated) Regulations issued by the Scottish Development Department.
19. It is not recommended to flambé cook under appliance.
20. The appliance only extracts vapours and odours occurred during cooking, it does not remove steam.
21. Ensure that the appliance is only used in accordance with the instruction manual.
22. Ensure the appliance is switched on when using the cooking appliance below otherwise condensation may collect in the appliance and cause corrosion.



**WARNING:** Do not connect the exhaust hose to an existing ventilation system that is currently in use.

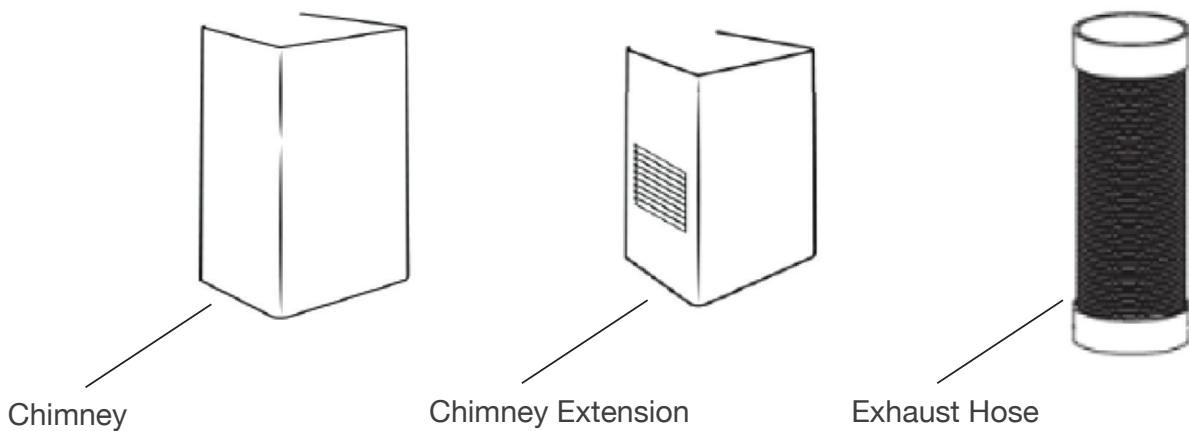
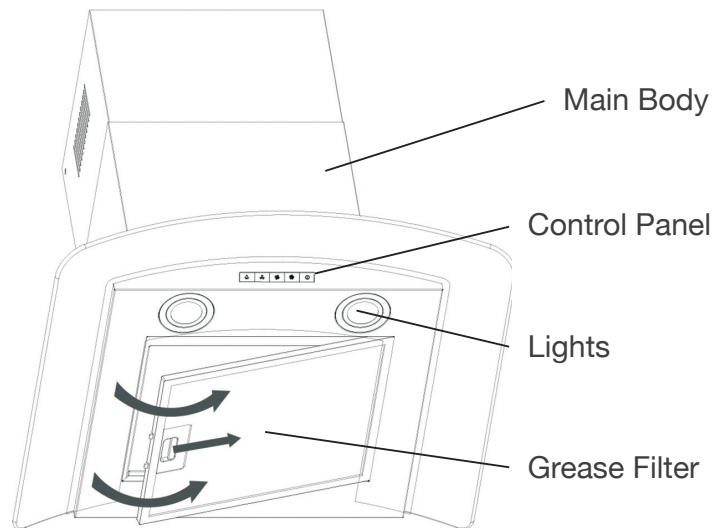
## TECHNICAL SPECIFICATIONS - CGH60GS

Trade Mark	Statesman
Model Number	CGH60GS
Category Type	Hood
Energy Efficiency Class	C
Annual Energy Consumption (kWh/a)	95
Fluid Dynamic Efficiency	17.2 (D)
Lighting Efficiency	64.6 lux/W (A)
Grease Filter Efficiency	81.5 (C)
Time Increase Factor	1.4
Measured Air Flow Rate at Best Efficiency Point (m <sup>3</sup> /h)	341.9
Measured Air Pressure at Best Efficiency Point (Pa)	330
Maximum Air Flow (m <sup>3</sup> /h)	612.5
Measured Electric Power Input at Best Efficiency Point (W)	182.0
Nominal Power of the Lighting System (W)	3
Average Illumination of the Lighting System on the Cooking Surface (lux)	181
Measured Power Consumption in Standby Mode (W)	0.41
Measured Power Consumption in Off Mode (W)	0
Sound Power Level (dB)	65
Rated Power (W)	213
Voltage (V)	220-240
Frequency (Hz)	50
Dimensions (mm)	485(H) x 600(W) x 500(D)mm
Chimney Height (mm)	455-825
Outlet Dimensions (mm)	150

## TECHNICAL SPECIFICATIONS - CGH90GS

Trade Mark	Statesman
Model Number	CGH90GS
Category Type	Hood
Energy Efficiency Class	C
Annual Energy Consumption (kWh/a)	89.4
Fluid Dynamic Efficiency	18.3 (C)
Lighting Efficiency	34.6lux/W (A)
Grease Filter Efficiency	82.8 (C)
Time Increase Factor	1.3
Measured Air Flow Rate at Best Efficiency Point (m <sup>3</sup> /h)	327.6
Measured Air Pressure at Best Efficiency Point (Pa)	326
Maximum Air Flow (m <sup>3</sup> /h)	631.0
Measured Electric Power Input at Best Efficiency Point (W)	184.2
Nominal Power of the Lighting System (W)	3
Average Illumination of the Lighting System on the Cooking Surface (lux)	97
Measured Power Consumption in Standby Mode (W)	0.41
Measured Power Consumption in Off Mode (W)	0
Sound Power Level (dB)	66
Rated Power (W)	213
Voltage (V)	220-240
Frequency (Hz)	50
Dimensions (mm)	485(H) x 900(W) x 500(D)mm
Chimney Height (mm)	485-855
Outlet Dimensions (mm)	150

# APPLIANCE OVERVIEW

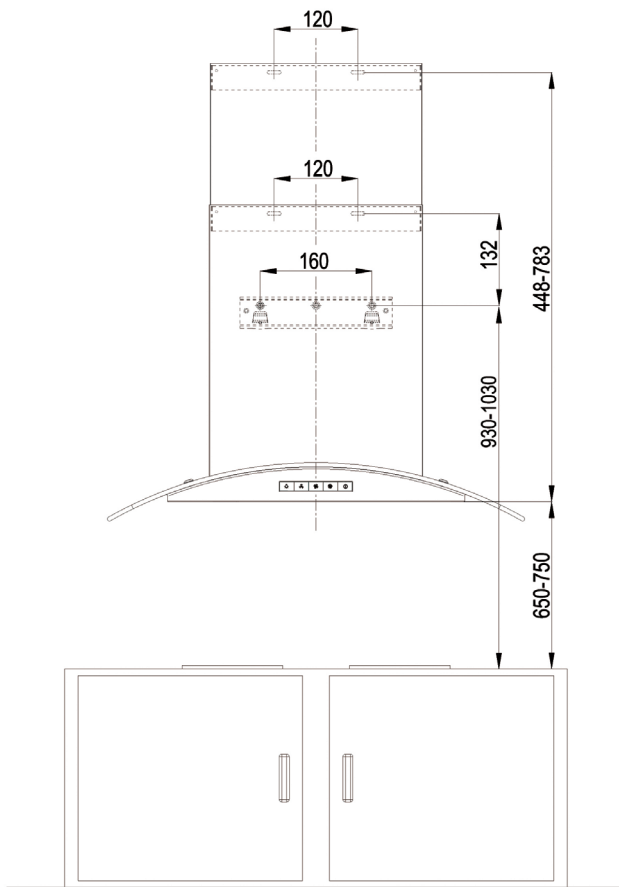





# INSTALLATION

- Do not connect the exhaust hose to an existing ventilation system that is currently in use.
- It is not recommended to bend the exhaust hose more than 90° as this may affect the performance of the appliance.
- Ensure the appliance is horizontal to avoid grease collection at one end.

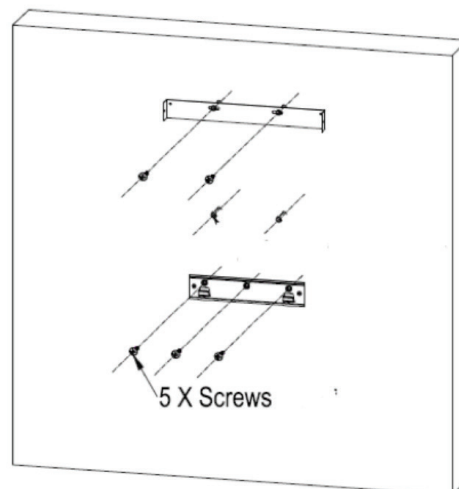


- After installation ensure that the appliances plug can be easily removed.
- The appliance should be placed 650 – 750 mm from the cooking surface below.
- Ensure adequate ventilation in the room whilst the appliance is in operation.
- Ensure all masonry work is complete before installing the appliance.
- It is not recommended to install this appliance above a cooker with a high level grill.

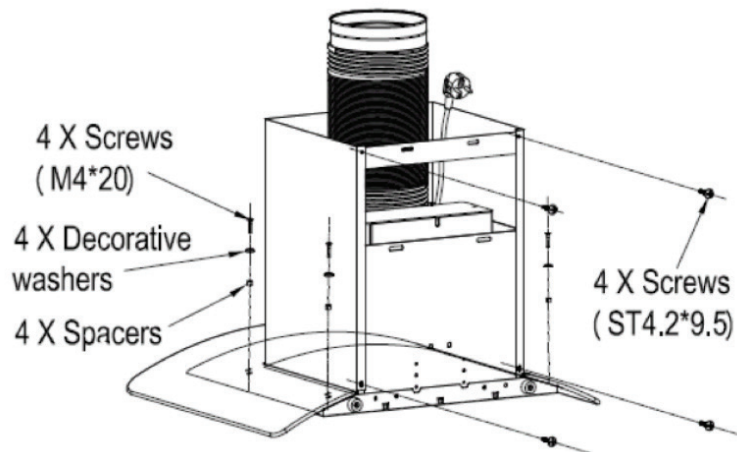


-  1 x Installation Plate
-  2 x Chimney Installation Plates
-  7 x Rawl Plugs
-  7 x Screws (M5\*50)
-  4 x Screws (M4\*20)
-  6 x Screws (ST4.2\*9.5)
-  4 x Spacers
-  14 x Decorative Washers

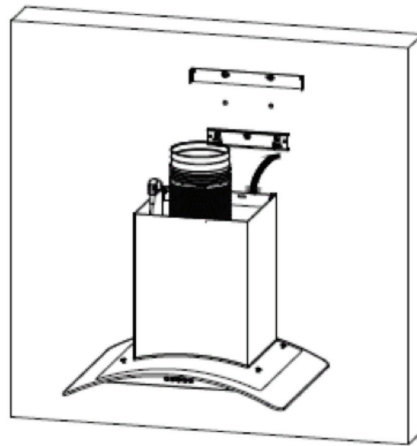
1. Drill holes for the 3 Installation Plates; see above diagram for all measurements.
2. Insert Rawl Plugs into the drilled holes.



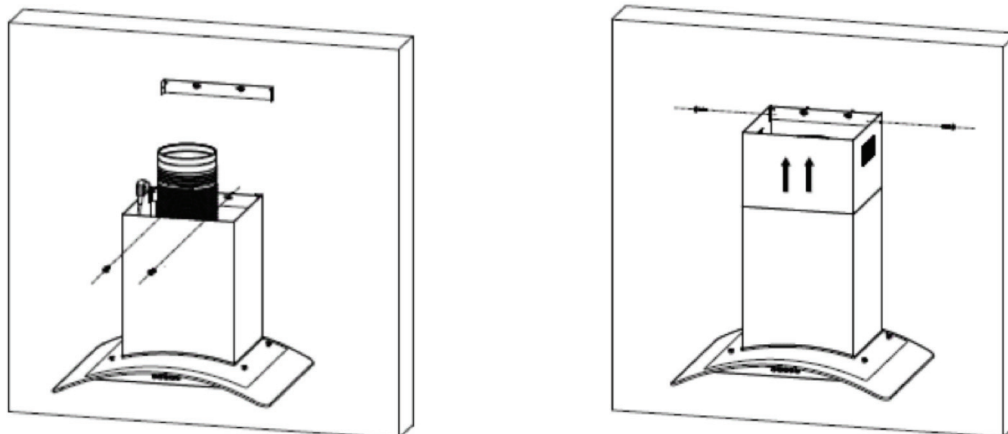
3. Install the Installation Plate and Chimney Installation Plates using the Screws (M5\*50) provided.
4. Fit the Exhaust Hose and Chimney onto the Main Body of the appliance.



5. Hang the appliance on the bottom Installation Plate.



6. Connect the exhaust pipe to the pre-drilled ventilation hole.
7. Screw the appliance to the middle Installation Plate using the Screws (ST4.2\*9.5) provided. This will prevent the appliance from accidentally sliding off the Installation Chimney Plate.

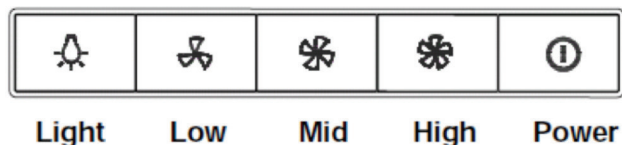


8. Fit the Chimney Extension to the appliance and Installation Chimney Plate.
9. Use the Screws (ST4.2\*9.5) provided to secure the Chimney Extension to the Chimney Installation Plates.




## OPERATING INSTRUCTIONS

- It is recommended to only use 4 cooking elements at the same time as using more may affect the ability of the appliance.




### Switching on the Appliance

- Plug the appliance into the mains supply, the appliance will buzz to indicate power.
- Press the  button, the fan will switch on at low speed, the power and low speed buttons will illuminate.



### Selecting the Power Level

- Select the required fan setting by pressing the required button, the selected button will illuminate.
- It is recommended when frying or cooking foods with strong aromas to select the highest setting.

### Lighting

- The light can be used with or without the fan function.
- Press the  button once to switch on and press again to switch off.

### Delay Shut Down

- When the appliance is on press the  button.
- The appliance will automatically shut down within 3 minutes.
- To switch the appliance off without the delay, press the  button again.

## CLEANING AND MAINTENANCE

Before cleaning and maintenance ensure the appliance is disconnected from the mains electricity supply.

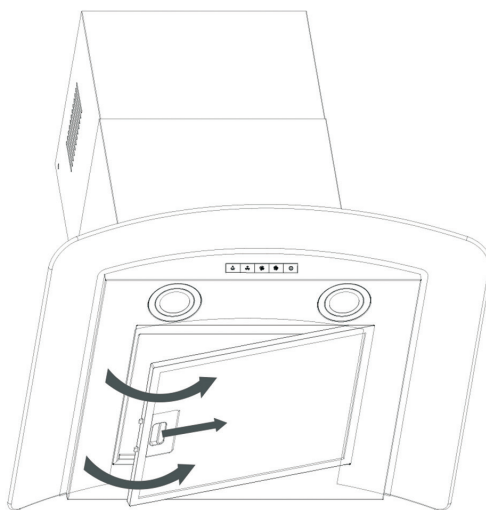
**Important:** Do not allow moisture or liquids to get into the appliance.

**Important:** Do not use abrasive cloths, powders, household cleaners, bleach or wax polish to clean the appliance as these can damage the appliance.

### Cleaning the Exterior

- Use a clean, damp soft cloth to wipe the exterior surface of the appliance and dry thoroughly.
- Dry the appliance thoroughly with a clean dry cloth before connecting into the mains electricity supply.

## Cleaning the Filter

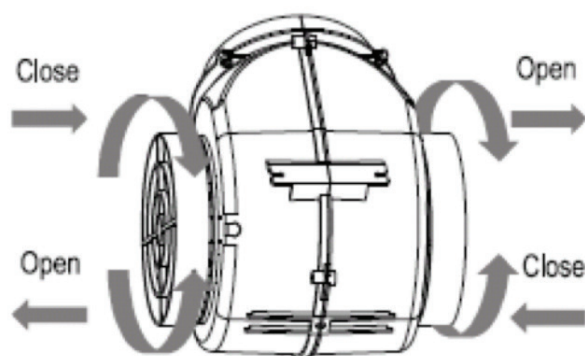


- Remove the grease filter by pushing the catch on the handle in and then pulling the grease filter downwards and away from the appliance.
- Put the filter into a dishwasher set to a temperature below 60°C or if a dishwasher is not available wash in hot water with a little washing up liquid.
- If washing by hand you may need to soak the filter beforehand for up to 1 hour in warm soapy water to help dissolve some of the grease.

## Inserting a Carbon Filter

A carbon filter is not included with this appliance but can be purchased at your local distributor.

- Remove the grease filter by pushing the catch on the handle in and then pulling the grease filter downwards and away from the appliance.
- The carbon filter slots are located at both ends of the motor.



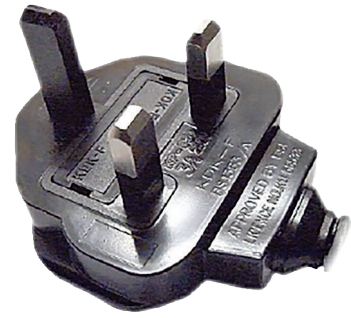
- Turn the ends of the motor in an anti-clockwise direction to open.
- Insert the carbon filter and replace the ends of the motor.
- Turn in a clockwise direction to lock.

**Important:** Carbon filters must not be washed or recycled and should be replaced every 2 to 3 months.

## FUSE REPLACEMENT

### (Moulded Plug Top – Class I)

Remove the fuse cover with a small flat head screw driver. Take out the fuse and replace with a new fuse of the same Amp. Replace the fuse cover and push back into place.



## DISPOSAL

The European Directive 2012/19/EU on Waste Electrical and Electronic Equipment (WEEE), requires that old household electrical appliances must not be disposed of in normal unsorted municipal waste.

Old appliances must be collected separately in order to optimise the recovery and recycling of the materials they contain and reduce the impact on human health and the environment.

The crossed out “wheeled bin” symbol on the product reminds you of your obligation, that when you dispose of the appliance it must be separately collected. Consumers should contact their local authority or retailer for information concerning the correct disposal of their old appliance.



# TROUBLESHOOTING

If you are having problems with your appliance, please use our troubleshooting guide below. If you are unable to resolve the issue using this guide please ring our Customer Service Department on 0844 848 5861. Please have the model code and purchase information available.

<b>Fault</b>	<b>Possible cause</b>	<b>Solution</b>
Light on, but motor does not work.	The blades are blocked.	Call Customer Services; 0844 848 5861
	The appliance is broken.	Call Customer Services; 0844 848 5861
	The internal wiring is damaged, there may be an unpleasant smell produced.	Call Customer Services; 0844 848 5861
Appliance doesn't work.	Mains plug is not plugged in or is loose.	Insert mains plug.
	Fuse has blown or is defective.	Check fuse, replace if necessary.
	Socket is defective.	Mains malfunctions are to be corrected by an electrician.
	Power cut.	Check that you haven't had a power cut or your fuse box doesn't need resetting.
Vibration.	The blade may be damaged.	Call Customer Services; 0844 848 5861
	The motor needs tightening.	Call Customer Services; 0844 848 5861
	The appliance is loose on the brackets.	Unplug from mains and tighten brackets.
Insufficient suction.	The distance between the appliance and the cooker top is too large.	Check the installation instructions and if necessary readjust the distance.
	Too much ventilation from open doors or windows.	Reduce the amount of ventilation until the appliance is functioning correctly.
The appliance hangs forward.	The screws on the installation plates need tightening.	Tighten screws.
	The fixing screws need tightening.	Tighten screws.



**38 Bluestem Road,  
Ransomes Europark  
Ipswich, IP3 9RR**

**0844 848 5861**

Disclaimer: Statesman operate a policy of continual improvement and development. We therefore reserve the right to change/alter the specification and appearance of our appliances without prior notice. All diagrams and images shown in this manual are for illustration purposes only.