

# Montpellier

THE PERFECT BALANCE OF FUNCTION AND STYLE

LAUNDRY - DISHWASHING - COOKING - COOLING

## Installation and Operating Instructions



### **Downdraft Cooker Hood**

DDCH60/DDCH90 - 60cm/90cm

Please read these instructions carefully before attempting to install or use this appliance.  
We recommend that you keep these instructions in a safe place for future reference.

# Welcome

---

Thank you for choosing this Montpellier Downdraft Cooker Hood.

Our Hoods has been designed to provide you with the best combination of style, reliability and performance to give you years of trouble-free use.

You may be familiar with a similar product, but please take time to read these instructions carefully before installing or using your Cooker Hood to ensure you get the most from your purchase.

We recommend that you keep this manual in a safe place for future reference.



**2**  
**YEAR**  
**GUARANTEE**  
— PARTS & LABOUR —  
ACROSS ALL OUR MODELS  
**Montpellier**  
www.montpellier-appliances.com

Your Cooker Hood is covered by a comprehensive two year Parts & Labour Guarantee. In the unlikely event that you experience a problem with your Hood, you can rest assured that you are fully protected against the cost of repairs for the first 24 months . Please note that any claim must be accompanied by the model reference number, serial number and proof of purchase.

To activate your guarantee, you will need your product serial number. This can be found on the rear of the machine.

There are two ways to register your Guarantee:

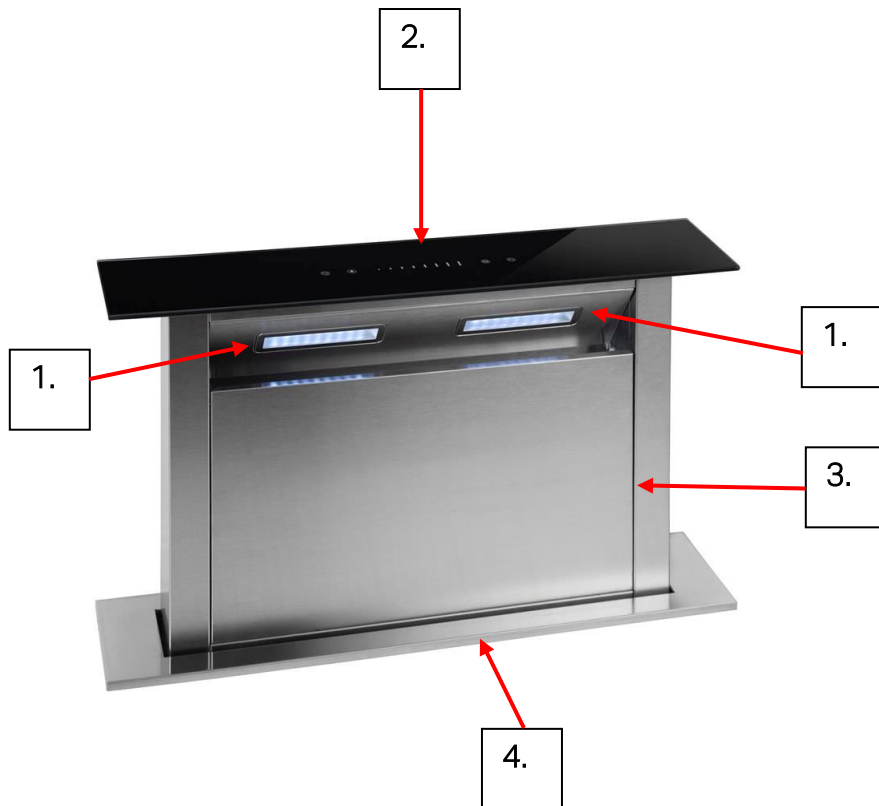
- **Online:** Visit the Support page on our website and complete the online Product Registration form. [www.montpellier-appliances.com](http://www.montpellier-appliances.com)
- **By Post:** Simply detach and fill in the form provided, attach a stamp and send it in the post. Don't forget to include your e-mail address so that we can send confirmation through to you.



**Note:** We are unable to take registrations over the phone.

---

## Description of the Appliance



1. Lights
2. Function Control Panel
3. Main Body Section
4. Base

## CONTENTS:

Section 1. Installation

Section 2. Safety Advice

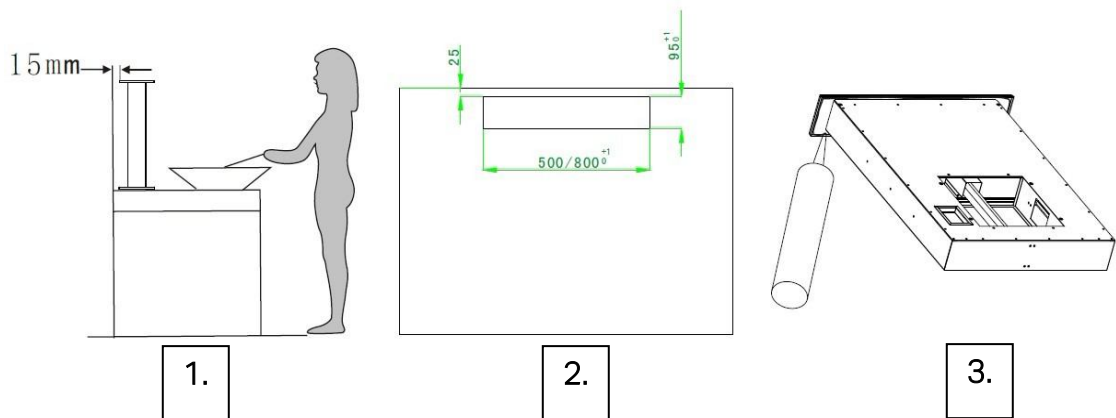
Section 3. Operating the Appliance

Section 4. Maintenance

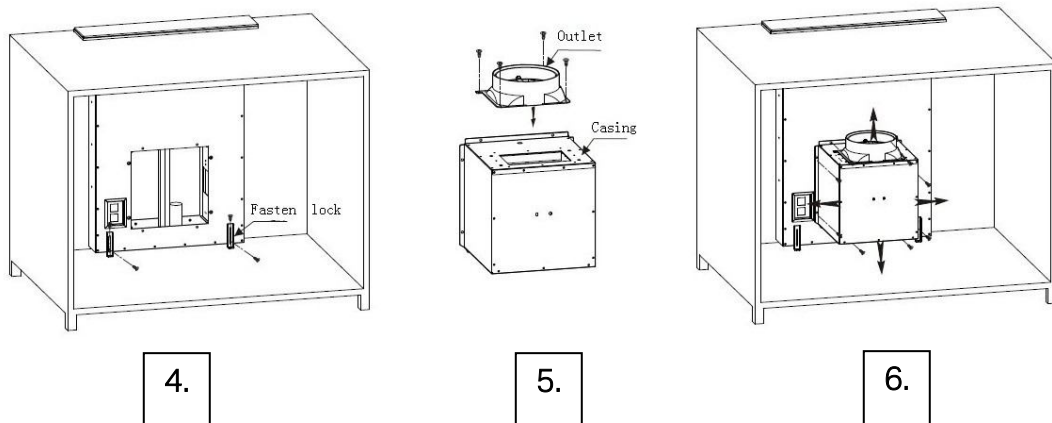
Section 5. Circuit Diagram

## Section 1. Installation

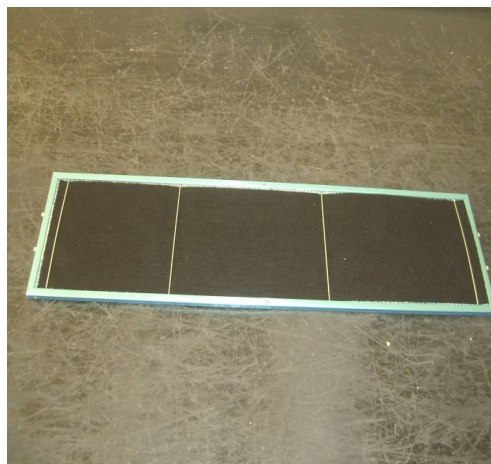
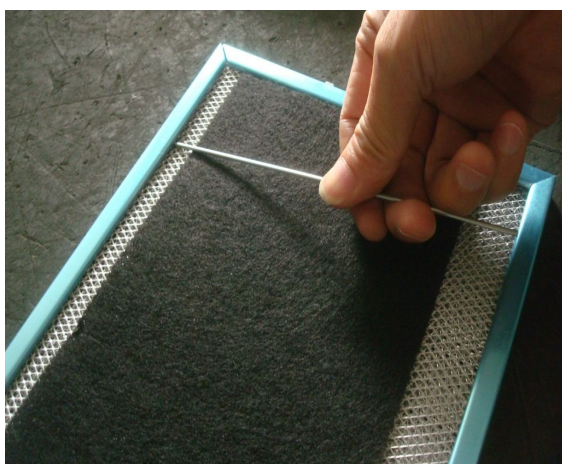
- A qualified installer **MUST** carry out the installation.
- N.B. To ensure that your cooker hood operates efficiently the hose length must not exceed 2m with a maximum of one bend.
- This appliance can be used fully 'vented' via a ducting hose and external wall vent, or in 're-circulation' mode by using the charcoal filter provided.
- The cooker hood should ideally be installed between 65-75cm above the work surface/cooker hob. **DO NOT INSTALL BELOW 65cm.**



- Mark & cut out the aperture in the work surface as per Pic.2 above (See Section 5. Circuit Diagram & Product Dimensions for the Technical Drawing of MON-DDCH60 and MON-DDCH90 showing actual dimensions).
- You must ensure a minimum gap of 15mm between the rear of the appliance and the rear wall. See Pic.1 above.
- Use adhesive/seal (as shown in Pic.3 above) and lower the hood into the work surface cut-out.



- Secure the base of the hood into the cabinet using the screws provided as shown in Pic. 4 above.
- Connect the outlet to the main casing as shown in Pic. 5 above.
- Connect the casing to the body of the hood with the screws provided as shown in Pic. 6 above.
- Connect the vent hose to the appliance and the wall outlet.  
**N.B. Your installer will supply a wall outlet and may have to supply a suitable alternative flexible duct to suit the wall outlet.**  
**This appliance must not share the same air outlet as another appliance, i.e. gas heating outlet.**
- The mains lead should be connected to a suitably positioned fused electrical spur, protected by a 3amp fuse.
- Ensure that dust and debris is cleaned up from the immediate area of the appliance prior to it being switched on and tested for the first time.
- If you intend to use the unit in re-circulation mode, i.e. without external ventilation, you must fit & use the charcoal filter as follows:
- Remove the aluminium filter
- Position the charcoal filter to the back of the aluminium filter using the metal strips provided (3 on MON-DDCH60 & 4 on MON-DDCH90).



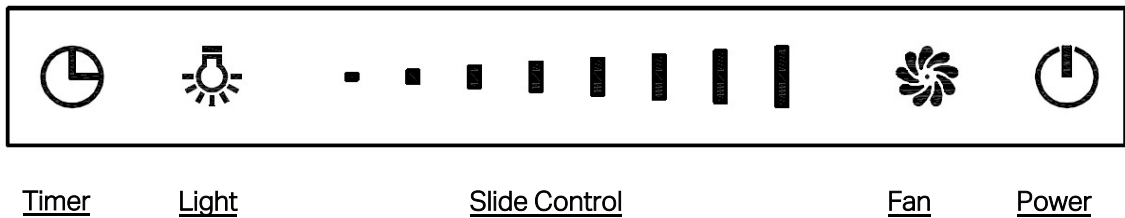
- Refit the aluminium filter.

Please note that the installation of the charcoal filter may reduce the suction power of the appliance.

## Section 2. Safety Advice

- **A qualified installer must carry out the installation.**
- This appliance is manufactured and intended for DOMESTIC use only. Any guarantee offered with the appliance is not valid for any installation in a commercial environment.
- This appliance incorporates stainless steel. Handle with care as some of the edges may be sharp.
- The main filter must be cleaned on a regular basis in order to help maintain the appliance in good working order.
- Always turn off the electricity supply before cleaning the filter or the appliance exterior.
- When replacing the bulbs or charcoal filter, ensure that you fit a 'like for like' replacement.
- This appliance shall not be used by children aged from 8 years and above and persons with reduced physical, sensory or mental capabilities, or lack of experience and knowledge, unless they have been given supervision or instruction on how to use of the appliance in a safe way and understand the hazards involved. Children shall not play with the appliance. Cleaning and user maintenance shall not be made by children without supervision.
- If the power supply cord is damaged, it must be replaced by the manufacturer, it's service agent or similarly qualified persons in order to avoid a hazard.

## Section 3. Operating the Appliance



To operate the Cooker Hood, proceed as follows:

- Press & hold the Power button for 2 seconds to raise the main body section of the hood – the fan will operate at low speed.
- Touch the Fan button to turn the fan on and/or off.
- Touch the fan button to turn the fan on and then use the Slide Control to select fan speeds 1, 2, 3 or 4. N.B. that each 2 bars of the slide equate to 1 speed, i.e. 2 bars = speed 1, 4 bars = speed 2 etc
- Touch the Light button to turn the light on or off.
- You can also increase/decrease the intensity of the light by using the slide control. When the Light button indicator flashes use the slide to vary the intensity of the light, i.e. 2 bars = low light, 8 bars = high light.
- You can use the Timer button and slide control to set the time delay after which the hood will close down automatically. To operate, press the Timer button then use the Slide Control to set the delay time, i.e. each bar = 5 mins providing you with a time range between 5 minutes (min) to 40 minutes (max). Once the set time has elapsed, the hood will automatically switch off the main body section will close.

For best results, we recommend that the Cooker Hood is switched on at least 10 minutes prior to cooking and left to run for a period of 10 minutes after cooking is finished.

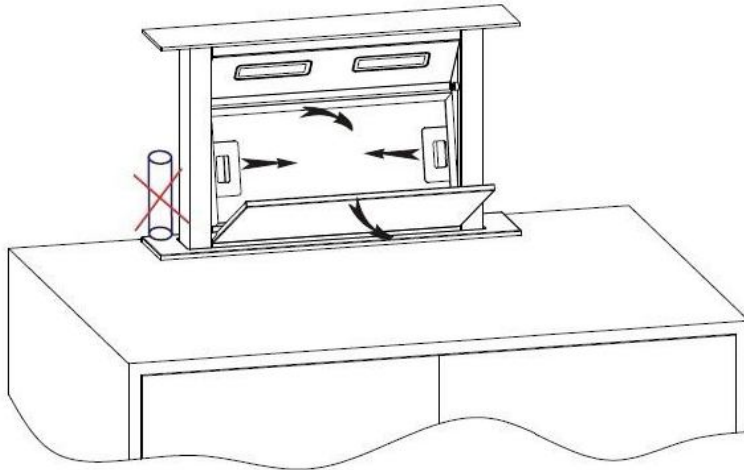


## Section 4. Maintenance

### 4.1. Cleaning the Main Filter

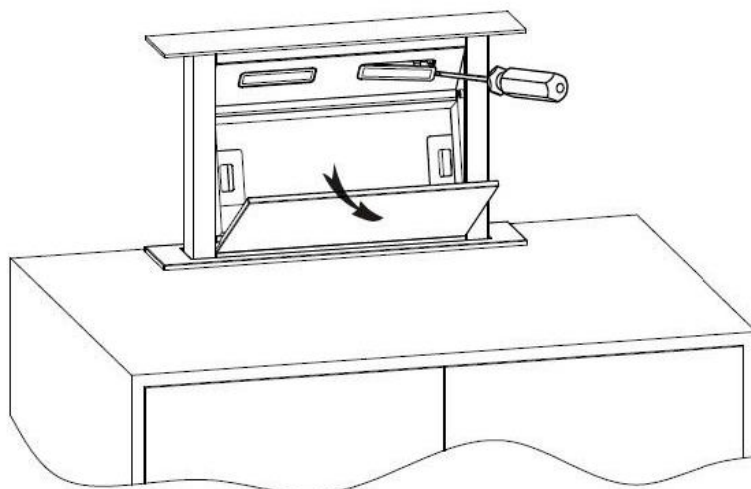
Periodically remove the aluminium filter (as shown below) and wash with warm soapy water. Ensure the filter is dry before re-fitting.

The main body of the cooker hood should be cleaned with warm soapy water – never use abrasive detergents on either the filter or main body.



### 4.2. Replacing the Lamps

To replace a LED Lamp, isolate the power, press and remove the lamp holder as shown below. Replace it with the same type/wattage (1w) and refit.



### 4.3. Replacing the Charcoal Filter

To replace the charcoal filter(s), proceed as shown in Section 1. Installation.

### 4.4. What to do if something goes wrong

The light(s) does not work:

- The LED lamp has probably blown. Replace the lamp as referred to in Section 4.2. Please note that light bulbs/lamps are not covered by any guarantee offered with this appliance.

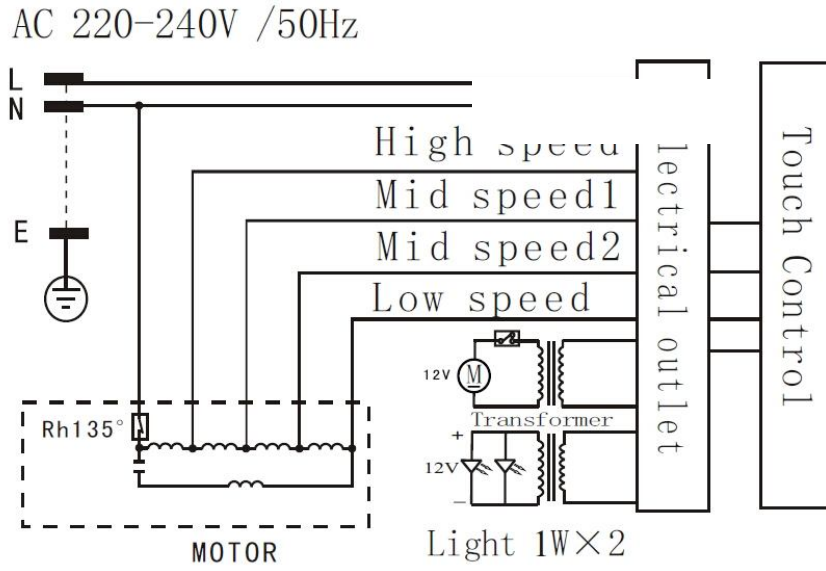
Motor operates but level of extraction appears to be poor:

- Check and clean the filter as detailed in Section 4.1. Dirty filters will cause a noticeable drop in performance. If you are using the appliance on 're-circulation' mode the charcoal filter may require changing as detailed in Section 4.3.

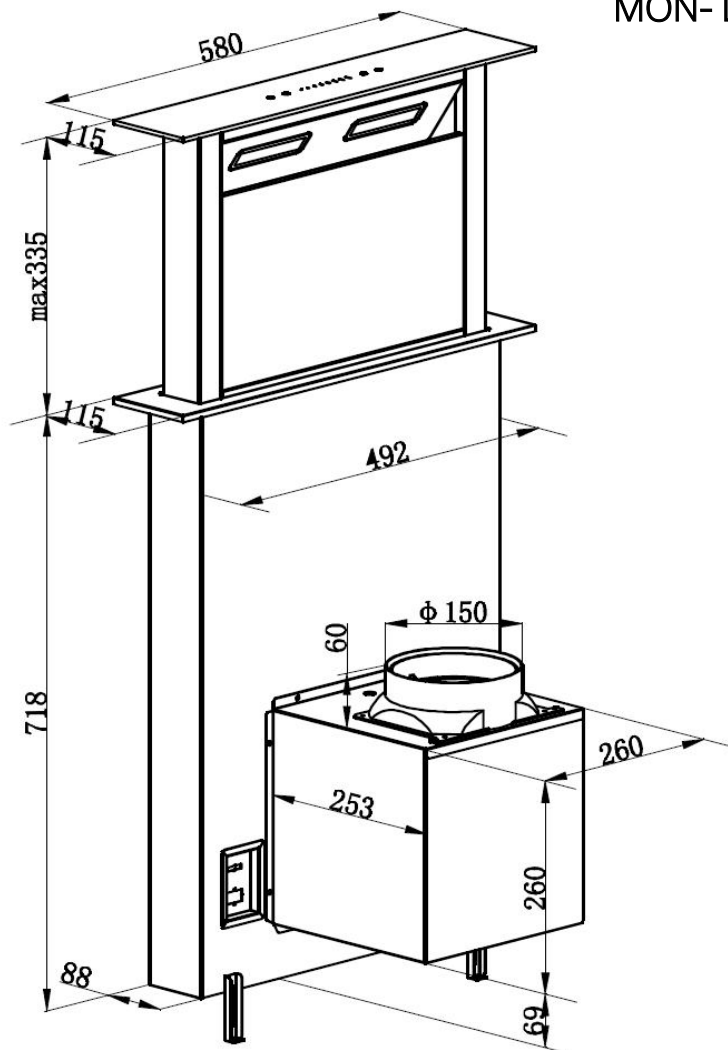
There is no power to the appliance:

- Check there is not a power cut
- Check there is power to the electric socket/appliance
- Check the fuse in the plug and/or spur (3amp)

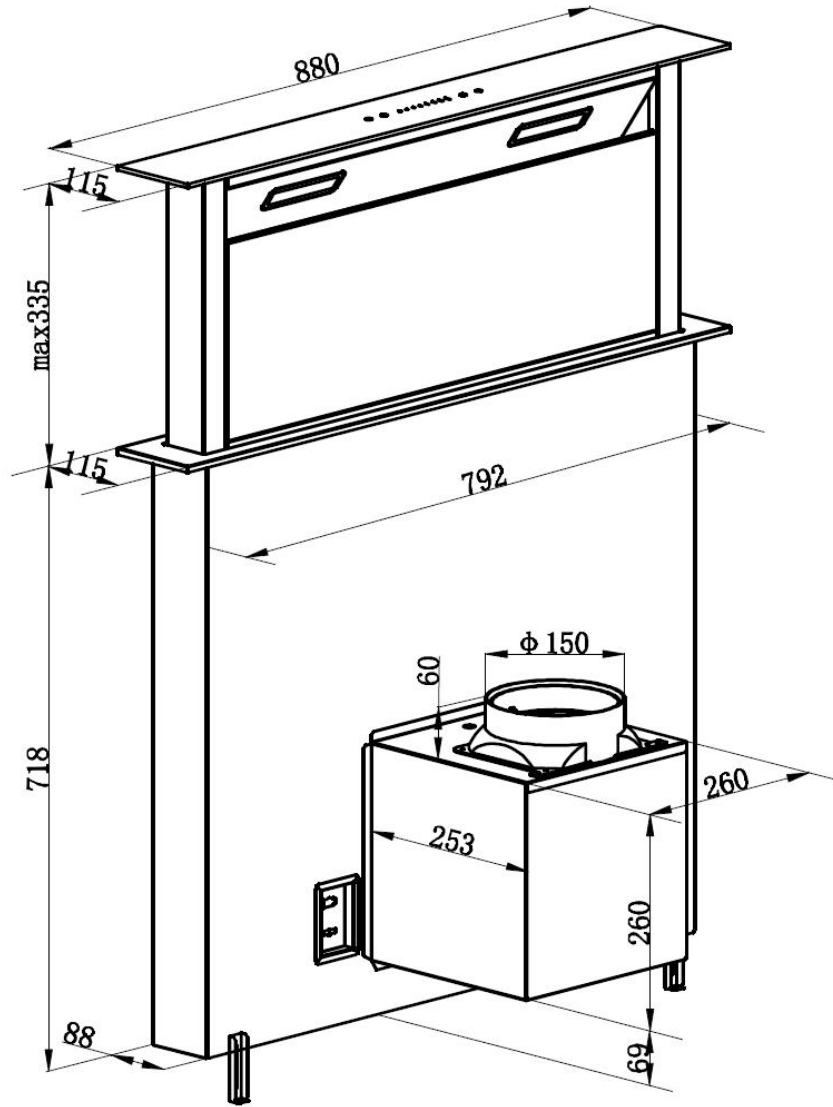
# Section 5. Circuit Diagram & Product Dimensions



MON- DDCH60



MON-DDCH90



# Here For You

---

## After-sales assistance

If you continue to experience problems with your Cooker Hood, please call the Montpellier customer service helpline on: **01759 487839**.

Please have all your product details available, including the model number, serial number, date of purchase, and your retailer's details before registering a fault.

The service call cannot progress without this information.

## Your 2 year Manufacturer's guarantee

THIS DOES NOT AFFECT YOUR STATUTORY RIGHTS.

Your new Montpellier appliance carries a free guarantee which protects you against the cost of repairs during the first 24 months from date of purchase provided that:

Any claim is accompanied by evidence of the model reference, model serial number and proof of purchase, such as a Sales Receipt, showing that the appliance was purchased within the 24 months prior to the date of claim.

## What is not covered under the Guarantee

- Any appliance not correctly installed and operated in accordance with the manufacturer's instructions.
- Any appliance that is used for anything other than domestic purposes.
- Any defect caused by accident, misuse, unauthorised modification or inexpert repair.
- Cost of Call-out where a fault cannot be found with the appliance.
- Cost of Call-out for work covering routine maintenance, such as, but not exclusively, cleaning of filters or defrosting.
- Cost of Call-out for work required to correct the alignment of doors following door reversal procedures carried out by you.
- Use of the appliance by anyone other than the Householder.
- Use in any commercial environment.
- Consumable items, such as, but not exclusively, fuses in plugs, bulbs and breakable items which require routine replacement.
- Repair costs incurred that have not been authorised by Montpellier and/or carried out by a non-approved Montpellier engineer.

## YOUR GUARANTEE IS VALID ONLY IN THE UK & ROI.

To register your appliance simply complete the card in your appliance pack and return it with a stamp affixed or alternatively you can register online at **[www.montpellier-appliances.com/support](http://www.montpellier-appliances.com/support)**

## SERVICE HELP-LINE

Should your appliance develop a fault, please call the Montpellier customer service helpline on: **01759 487839**.

Please remember to have all your product details available, including the model number, serial number, date of purchase and your retailer's details before registering a fault.

Your service call cannot progress without this information.

---

**Montpellier Domestic Appliances Ltd.**

Unit 1, Tewkesbury Retail Park, Northway Lane,  
Tewkesbury, Gloucestershire GL20 8JU

**[www.montpellier-appliances.com](http://www.montpellier-appliances.com)**



The symbol on the product or on its packaging indicates that this product may not be treated as household waste. Instead it shall be handed over to the applicable collection point for the recycling of electrical and electronic equipment. By ensuring this product is disposed of correctly, you will help prevent potential negative consequences for the environment and human health, which could otherwise be caused by inappropriate waste handling of this product. For more detailed information about recycling of this product, please contact your local city office, your household waste disposal service or the shop where you purchased the product.