

35L Counter Top Freezer with Lock



For Models
IG375I - White
IG675I - Stainless Steel

Batch code:

Please read these instructions carefully before use and retain for future reference

**Before switching on your appliance,
always check for any damage which may have been caused in transit**

CONTENTS

Important Safety Instructions.....	3-4
Specifications.....	5
Appliance Overview.....	5
Installation.....	6-7
Operating Instructions.....	7-9
Cleaning and Maintenance	10
Trouble Shooting Guide.....	11
Fuse Replacement.....	12
Disposal Information.....	12
Igenix Warranty Terms & Conditions	14-15

IMPORTANT SAFETY INSTRUCTIONS

Read and follow all of the instructions even if you feel you are familiar with the product, and find a place to keep this manual handy for future reference.

Important: This product is intended for domestic use only, for food refrigeration storage only.

When using electrical appliances, basic safety precautions should always be followed:

- Do not operate the appliance with a damaged cord or plug, after it malfunctions or has been dropped or damaged in any way. All electrical repairs must be carried out by a qualified electrician. Inadequate repairs may result in a major source of danger for the user and invalidate the warranty.
- The operating voltage of the appliance is 220-240V at 50Hz. Check the voltage of the appliance matches the household voltage on the rating label and specification for further details.
- Use of an extension cord is not recommended with this product.
- This appliance can be used by children aged from 8 years and above if they have been given supervision or instruction concerning the use of the appliance in a safe way and understand the hazards involved.
- Children aged from 3 to 8 years are allowed to load and unload this appliance.
- Cleaning and user maintenance shall not be made by children
- Keep the appliance and its cord out of reach of children.
- Children shall not play with the appliance.
- This appliance can be used by persons with reduced physical, sensory or mental capabilities or lack of experience and knowledge if they have been given supervision or instruction concerning use of the appliance in a safe way and understand the hazards involved.
- Always unplug the appliance before attempting to move. When

disconnecting from the electricity supply, pull the plug and not the cord.

- This product is for indoor use only.
- Do not store explosive substances such as aerosol cans with a flammable propellant in this appliance.
- Always keep the ventilation openings clear of obstruction. Should they become blocked, clear them straight away.
- The refrigerant of this product is R600a which is flammable. Ensure when moving the appliance or during installation that the cooling system does not get damaged.



WARNING: The appliance is heavy and care is needed when unpacking and moving it. Get extra help and only hold the appliance by the casing – never hold by the door or the trim.



WARNING: Risk of child entrapment.

Before disposal of the old appliance, make sure that any locking mechanisms have been broken off, doors have been removed but shelves have been left in so that children cannot easily climb inside. Also remove the plug so the appliance is unusable.



WARNING: When positioning the appliance, ensure the supply cord is not trapped or damaged.



WARNING: Do not locate multiple portable socket-outlets or portable power suppliers at the rear of the appliance.



WARNING: During using, service and disposal the appliance, please pay attention to symbol as left side, which is located on rear of appliance (rear panel or compressor). It's risk of fire warning symbol. There are flammable materials in refrigerant

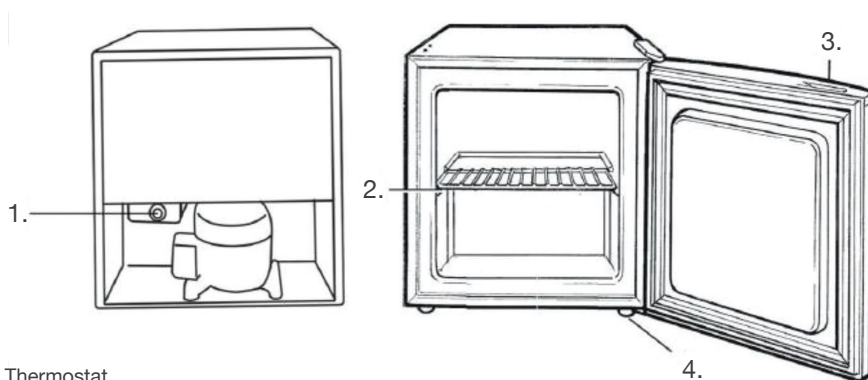


pipes and compressor. Please be far away fire source during using, service and disposal.

SPECIFICATIONS

Model	IG3751 / IG6751
Climate Class	ST
Electric Protection Type	I
Total Net Capacity (Litres)	34
Voltage (V)	220 – 240
Frequency (Hz)	50
Noise (dB)	≤ 41
Energy Consumption (kWh / 24h)	0.400
Refrigerant	R600a / 21g
Gross Weight (Kg)	17
Interior Temperature (°C)	-12 to -18

APPLIANCE OVERVIEW



1. Thermostat
2. Wire Shelf
3. Door
4. Adjustable Feet

INSTALLATION

Location & Air Circulation

When selecting a position for your freezer, you should make sure the table top is flat and firm and the room is well ventilated with an average room temperature of between 16°C and 32°C.

Locate your freezer away from sources of heat e.g. cookers, radiators, direct sunlight as extreme temperatures will effect how efficiently your freezer works.

If you are placing your freezer in an out-building such as a garage or annex, ensure that the freezer is placed above the damp course. Failure to do this will result in condensation forming on the freezer cabinet and could cause the freezer to rust and fail.

Never place the freezer in a wall recess or fitted cabinets or furniture as this will not allow adequate ventilation and cause a potential fire hazard. Allow 20mm of space at the sides of the freezer and 50mm above the freezer. Never push the freezer back against the wall, leave at least a 50mm gap.

Levelling

Once the freezer is positioned in its final location, it can be leveled using the adjustable feet at the front of the freezer until they are firmly placed on the counter top. Correctly leveling the freezer will stop any rocking or vibration and keep the door aligned which helps the freezer run reliably and efficiently.

Providing you follow the recommended ventilation requirements you will:

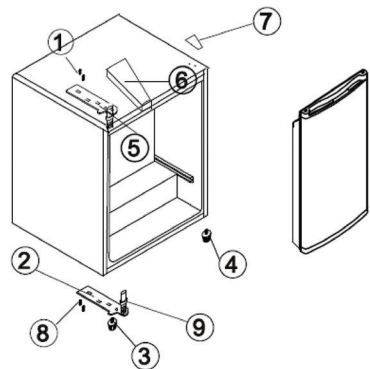
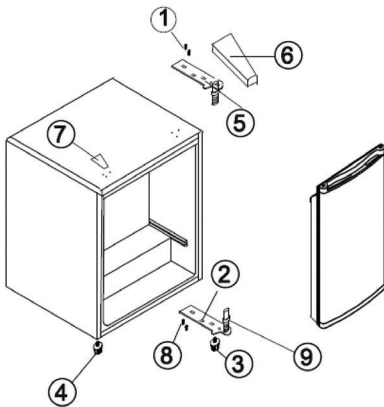
- Increase the life of the freezer.
- Minimise the risk of condensation on the outside of the freezer.
- Minimise the running costs.
- Minimise operating noises caused by vibration.

Door Fitting

The freezer door can be fitted to open to either the left or the right depending on its location. The appliance must be tilted and supported in order to carry this out. It is therefore advisable to get some help during this procedure. Take care when fitting and tightening screws.

To change the direction, please follow these instructions.

- Turn off the power.
- Remove the top hinge cover (6), hinge screws (1) and hinge (5) (right side).
- Lift the door and place on a padded surface to prevent scratching it.
- Remove the two screws (8) that hold the lower hinge (2) and make sure to remove the lower hinge (2)
- Remove the left front leg (4) and transfer it to the right side
- Remove the hole cover plate (7) to the right side
- Before placing this lower hinge (2), remove the bolt pin (9) and reverse the direction of the lower hinge (2). Then install the lower hinge (2) onto the left side of the lower frame with 2 screws (8)
- Insert the bolt pin (9) to the lower hinge (2)
- Set the door to its place making sure the door sits on the lower hinge (2)
- While holding the door in the closed position secure the upper hinge (5) in the top frame of left side with two screws (1)
- Please remember to not tighten the two screws (1) until the top of the door is levelled with the counter top.
- Install the upper hinge cover (6) on the upper hinge



OPERATING INSTRUCTIONS

Before using your Freezer

Before placing food in the freezer, it needs to be cleaned by wiping the interior using warm water and a soft cloth. Wipe the freezer completely dry before replacing the shelf.

Check that your power outlet is compatible with the plug supplied with the freezer.

IMPORTANT: Always allow at least 2 hours before turning on the freezer to allow the coolant fluid time to settle after the freezer is in place. Failure to do this may result in damage to the appliance and such damage is not covered by the guarantee.

Before placing any food in the freezer it is recommended to leave it 4 hours. This allows you to ensure the freezer is working correctly and gives enough time to allow the temperature in the refrigerator to drop to the correct level.


Using your Freezer

The ideal internal temperature of your freezer should be between -12°C to -18°C . Before turning on the freezer, make sure that the temperature control, which is located at the back of the freezer is set to NORMAL. Allow 4 hours before placing food in the freezer to allow the temperature to fall to the correct level. If you wish to decrease the temperature in the freezer, turn the thermostat to the MAX position and the internal freezer temperature will drop to -18°C .

Your freezer must NOT be placed in a room where the temperature goes below 16°C or above 32°C for prolonged periods, as the internal freezer temperature will not be maintained.

Precautions

The freezer is capable of producing very cold temperatures which may cause injury if safety precautions are not observed.

 **Caution:** Do not touch ice with bare hands as this could cause ice burns

- Do not attempt to freeze carbonated drinks such as fizzy pop, mineral water, champagne etc, as the bottles may break when frozen.
- The freezer must only be used for storing edible foodstuffs.
- Frozen food that has been thawed should not be re-frozen.

Storing Food in Your Freezer

Food which has been purchased frozen should be kept in its original packaging. Maximum storage times and expiry dates are usually given on the food packaging.

- Do not attempt to re-freeze food that has thawed or partially thawed.
- When cooking food you must ensure it has thoroughly thawed, especially when dealing with poultry and seafood.
- Do not overload the freezer and always allow space between the packages of food. This ensures that cold air is free to circulate, preventing the food packaging from sticking together.
- When removing ice cubes, it may help to hold the tray under running water for a few seconds in order to loosen the ice cubes.
- When freezing hot food allow it to cool before placing it in the freezer. Always store it away from food which is already frozen.
- This freezer can freeze up to 2kg of food for 24 hours.

To avoid contamination of food, please respect the following instructions

- Opening the door for long periods can cause a significant increase of the temperature in the compartments of the appliance.
- Clean regularly surfaces that can come in contact with food and accessible drainage systems.
- Clean water tanks if they have not been used for 48h; flush the water system connected to a water supply if water has not been drawn for 5 days.
- Store raw meat and fish in suitable containers in the refrigerator, so that it is not in contact with or drip onto other food.
- Two-star frozen-food compartments (if they are presented in the appliance) are suitable for storing pre-frozen food, storing or making ice-cream and making ice cubes.
- One-, two- and three -star compartments (if they are presented in the appliance) are not suitable for the freezing of fresh food.
- If the appliance is left empty for long periods, switch off, defrost, clean, dry and leave the door open to prevent mould developing within the appliance

Pre Packed Foods

Pre packed commercially frozen food should be stored in accordance with the manufacturer's instructions for a 4 star frozen food compartment and should be put in the freezer as soon as possible after purchase. Your freezer provides for long term storage which generally means up to 3 months but the length of time can vary and it is important to follow the recommended times shown on the packets of commercially frozen food.

Refrigerator compartments	Type of food
Door or balconies of fridge compartment	<ul style="list-style-type: none">• Foods with natural preservatives, such as jams, juices, drinks, condiments.• Do not store perishable foods.
Crisper drawer (salad drawer)	<ul style="list-style-type: none">• Fruits, herbs and vegetables should be placed separately in the crisper bin.• Do not store bananas, onions, potatoes, garlic in the refrigerator.
<ul style="list-style-type: none">• Fridge shelf – bottom• Chiller (box/drawer)	Raw meat, poultry, fish (for short-term storage)
Fridge shelf – middle	Dairy products, eggs
Fridge shelf – top	Foods that do not need cooking, such as ready-to-eat foods, deli meats, leftovers.
Freezer drawer(s)/shelf	<ul style="list-style-type: none">• Foods for long-term storage.• Bottom drawer/shelf for raw meat, poultry, fish.• Middle drawer/shelf for frozen vegetables, chips.• Top drawer/shelf for ice cream, frozen fruit, frozen baked goods.

Defrosting

After a period of time, frost will build up in the freezer. Regular defrosting will therefore be necessary to maintain the efficiency of the freezer. Defrosting should be carried out if the frost build up begins to interfere with the food storage. The best time to defrost your freezer is when the amount stored in the freezer is low, for example before you go shopping. To defrost the freezer follow the steps below:

1. Take out the frozen food, turn the freezer off at the mains supply and leave the door open. Ideally the frozen food should be put into another freezer or refrigerator. To speed up the defrosting process, a bowl of hot water can be placed inside the freezer to raise the temperature.
2. Remove the ice with an ice scrapper. Do not use pointed or sharp edged objects such as knives, forks or screw drivers to remove the ice.
3. When all traces of ice have been removed and defrosting is completed, clean away any water and wipe your freezer dry.
4. Clean your freezer as described below, plug in and switch the freezer back on. Allow enough time for the temperature to fall to the correct level before putting the food back in to the freezer.

CLEANING AND MAINTENANCE


Switch off the electrical supply and remove the plug from the socket before cleaning.

Interior

1. Remove all food from the freezer and cover to help keep it cool.
2. Remove the shelf from the freezer and defrost following the instructions above. Wash the shelf in warm soapy water with a soft cloth and dry thoroughly. Never put the shelf into the freezer wet.
3. Wipe the interior of the freezer with a damp clean cloth. For extra cleaning use a solution of one teaspoon of bicarbonate of soda to one pint of water.
4. Dry the interior thoroughly with a clean cloth and replace the shelf.
5. Plug in and switch back on and allow the temperature in the freezer to drop to the correct temperature.
6. Replace the food in the freezer.

Exterior

Use a clean, damp soft cloth to wipe the exterior surface of the freezer and dry thoroughly.

 **WARNING:** Do not use abrasive powder, household cleaner, bleach or wax polish to clean the freezer as these can leave a smell in the freezer and can damage the exterior.

Use a vacuum cleaner to remove dust from underneath the freezer and from around the compressor situated at the back of the freezer. Use caution not to damage the coolant system.

Door Seal

Use a clean, damp soft cloth to wipe the door seal and in between the creases of it. Take care not to damage the seal and do not use sharp objects to clean it. Ensure that the seal is dried thoroughly before using the freezer. Do not use detergent on the seal as it will cause damage to it.

Going Away

If you are going away and do not want to leave the freezer left on, switch off at the socket and pull the plug from the mains. Remove any food and follow the defrosting and cleaning instructions in the “Defrosting” and “Cleaning and Maintenance” sections.

Note: Leave the door ajar as this will prevent odours accumulating in freezer and will allow the freezer to dry completely.

Operating Sounds of a Freezer

If you have not owned a freezer before, you may notice that it makes some rather unusual noises. Most of these are perfectly normal, but you should be aware of them!

The compressor makes a buzzing or humming sound when it is running. This can be louder when the freezer is first switched on but should become quieter in a few months.

Gases flowing through the cooling system can cause a gurgling, bubbling or whooshing sound. These noises are normal and have become more pronounced since the introduction of CFC free gases.

Expansion and contraction of parts inside the freezer can produce a cracking noise as they rapidly change temperature.

TROUBLESHOOTING

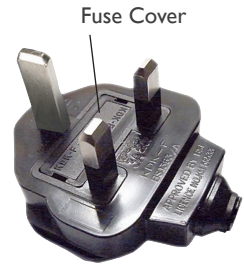
If you are having problems with your appliance, please use our troubleshooting guide below. If you are unable to resolve the issue using this guide please ring our Customer Service Department on 0844 848 5861. Please have the model code and purchase information available.

Fault	Possible cause	Solution
The freezer does not work.	<ol style="list-style-type: none"> 1. Not properly plugged into the mains wall socket. 2. No electricity in the mains wall socket. 3. The door is not closed properly. 	<ol style="list-style-type: none"> 1. Plug in firmly. 2. Check fuse or breaker. 3. Make sure the door is properly aligned and creates a seal around the door.
The fridge is making a lot of noise.	<ol style="list-style-type: none"> 1. The pipe work is touching the wall or skirting board. 2. The freezer has not been levelled properly. 	<ol style="list-style-type: none"> 1. Pull the freezer forward so it does not touch the wall or skirting board. 2. Adjust the feet at the front of the freezer, ensuring they are in firm contact with the floor.
The temperature in the freezer is too warm.	<ol style="list-style-type: none"> 1. The thermostat is set too high for your environment. 2. The freezer is too close to a heat source. 3. There is not enough ventilation around the freezer. 4. The door is not closed properly. 	<ol style="list-style-type: none"> 1. Turn the thermostat to a higher setting. 2. Move the freezer away from the heat source and out of direct sunlight. 3. Ensure there is a minimum gap of 10mm at each side and 30mm above the freezer. 4. Ensure that the door is properly closed and the seal is not damaged.
Ice builds up rapidly inside the freezer.	<ol style="list-style-type: none"> 1. Door is not closed properly. 2. Door open too long and warm air condensates in the freezer. 3. The freezer needs defrosting 	<ol style="list-style-type: none"> 1. Check to see if anything is stopping the door from closing properly. 2. Ensure the door is not left open any longer than needed. 3. Ensure advised periodic defrosting has been carried out

MAINS PLUG FUSE REPLACEMENT

Fuse Replacement (Class I)

This appliance must be eathed. Remove the fuse cover with a small flat head screw driver. Take out the fuse and replace with a new fuse of the same Amp. Replace the fuse cover and push back into place.



DISPOSAL INFORMATION

The European Directive 2012/19/EU on Waste Electrical and Electronic Equipment (WEEE), requires that old household electrical appliances must not be disposed of in normal unsorted municipal waste.

Old appliances must be collected separately in order to optimise the recovery and recycling of the materials they contain and reduce the impact on human health and the environment.

The crossed out “wheeled bin” symbol on the product reminds you of your obligation, that when you dispose of the appliance it must be separately collected. Consumers should contact their local authority or retailer for information concerning the correct disposal of their old appliance.





Igenix Warranty Terms & Conditions

This product is guaranteed for a period of 12 months as standard from the date of purchase against mechanical and electrical defects. You can extend your warranty for a further 12 months by registering your product.

Upon registration we will cover your product for a period of 24 months from the original purchase date against any mechanical or electrical defects.

To qualify for the guarantee, the product must be used for domestic household use only and in accordance with the instructions in the user manual. Any misuse of the product will result in the warranty being void.

The guarantee does not cover accidental damage, misuse, neglect, tampering or incorrect adjustment or installation.

The guarantee will be rendered invalid if the product is resold, has had its serial number removed (or has an invalid serial number), or if an unauthorised person has carried out any repairs or alterations.

The warranty does not cover accessories or consumable parts that require replacement under normal use. This includes shelving, dials, filters, belts and trays etc.

In the unlikely event of a breakdown please refer to the Troubleshooting guide in your user manual and check all plugs, fuses and the electricity supply.

If you still require assistance please contact our Customer Service department on **01473 271 272** or write to us at the following address:

**Customer Service Department
38 Bluestem Road, Ransomes Europark
Ipswich, IP3 9RR**

Please quote the Product Code which begins 'IG' or 'DF' and the Batch Code beginning '5' and give details of the exact fault. We will then decide whether to repair or replace the item.

Before we arrange the repair or replacement you will be required to return a copy of your proof of purchase. Please retain your original.

If an item is replaced within the agreed guarantee period, the guarantee for the replacement item will be calculated from the purchase date of the original.

In the event that the product is inspected and no fault is found or the product is not within the guarantee period you will be charged for the repair and any carriage costs.



Thank you for choosing Igenix

As a valued customer we would like to offer you a FREE 2 year warranty to cover your product against any electrical or mechanical defects.

This means that in the unlikely event you develop a fault or problem with your product we will happily repair or replace the item free of charge.

To qualify for the 2 year warranty you must register your product within 30 days of purchase. The full Terms & Conditions of our warranty policy are shown on the opposite page. They are also available on our website. **www.igenix.co.uk**

igenix

38 Bluestem Road, Ransomes Europark, Ipswich, IP3 9RR

Tel. 01473 271 272

Disclaimer: Igenix operate a policy of continual improvement and development.
We therefore reserve the right to change/alter the specification and appearance of our appliances without prior notice.
All diagrams and images shown in this manual are for illustration purposes only.