

47L Counter Top Fridge with Lock



For Models
IG3711 - White
IG6711 - Stainless Steel

PO Number:

Please read these instructions carefully before use and retain for future reference

**Before switching on your appliance,
always check for any damage which may have been caused in transit**

CONTENTS

Important Safety Instructions.....	3-4
Specifications.....	5
Appliance Overview.....	5
Installation.....	6-7
Operating Instructions.....	7-10
Cleaning and Maintenance.....	11
Disposal Information.....	12
Fuse Replacement.....	12
Trouble Shooting Guide.....	13
Igenix Warranty Terms & Conditions.....	14-15

IMPORTANT SAFETY INSTRUCTIONS

Read and follow all of the instructions even if you feel you are familiar with the product, and find a place to keep this manual handy for future reference.

Important: This product is intended for domestic use only, for food refrigeration storage only.

When using electrical appliances, basic safety precautions should always be followed:

- Do not operate the appliance with a damaged cord or plug, after it malfunctions or has been dropped or damaged in any way. All electrical repairs must be carried out by a qualified electrician. Inadequate repairs may result in a major source of danger for the user and invalidate the warranty.
- The operating voltage of the appliance is 220-240V at 50Hz. Check the voltage of the appliance matches the household voltage on the rating label and specification for further details.
- Use of an extension cord is not recommended with this product.
- This appliance can be used by children aged from 8 years and above if they have been given supervision or instruction concerning the use of the appliance in a safe way and understand the hazards involved.
- Cleaning and user maintenance shall not be made by children
- Keep the appliance and its cord out of reach of children.
- Children shall not play with the appliance.
- Children aged from 3 to 8 years are allowed to load and unload this appliance.
- This appliance can be used by persons with reduced physical, sensory or mental capabilities or lack of experience and knowledge if they have been given supervision or instruction concerning use of the appliance in a safe way and understand the hazards involved.
- Always unplug the appliance before attempting to move. When disconnecting from the electricity supply, pull the plug and not the cord.

- This product is for indoor use only.
- Do not store explosive substances such as aerosol cans with a flammable propellant in this appliance.
- Always keep the ventilation openings clear of obstruction. Should they become blocked, clear them straight away.
- The refrigerant of this product is R600a which is flammable. Ensure when moving the appliance or during installation that the cooling system does not get damaged.
- The refrigerating appliance is not intended to be used as a built-in appliance, unless specifically shown as such into its instruction manual.
- The drawers, baskets and shelves should be kept in their current position unless otherwise specified in this document.



WARNING: The appliance is heavy and care is needed when unpacking and moving it. Get extra help and only hold the appliance by the casing – never hold by the door or the trim.



WARNING: Risk of child entrapment. Before disposal of the old appliance, make sure that any locking mechanisms have been broken off, doors have been removed but shelves have been left in so that children cannot easily climb inside. Also remove the plug so the appliance is unusable.



WARNING: When positioning the appliance, ensure the supply cord is not trapped or damaged.

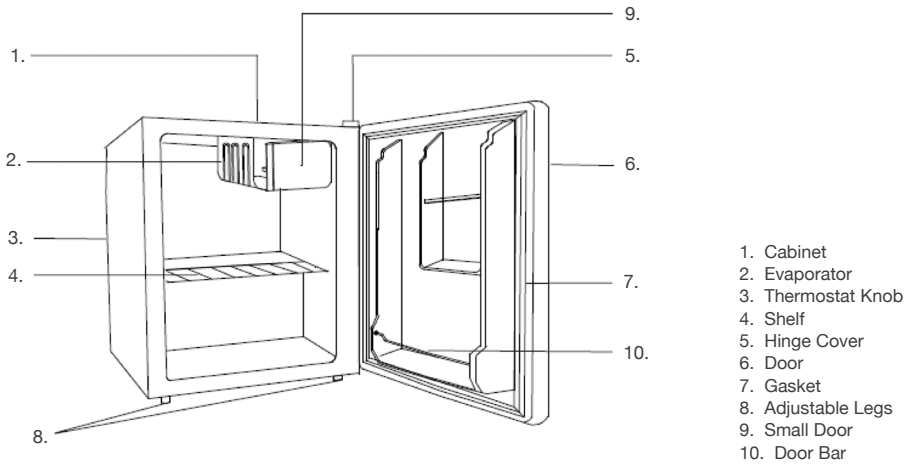


WARNING: Do not locate multiple portable socket-outlets or portable power suppliers at the rear of the appliance.

SPECIFICATIONS

Model	IG3711 / IG6711
Climate Class	ST
Electric Protection Type	I
Total Net Capacity (Litres)	46
Voltage (V)	220 – 240
Annual Energy Consumption	106kWh/annum
Frequency (Hz)	50
Noise (dB)	≤ 41
Energy Consumption (kWh / 24h)	0.290
Refrigerant	R600a / 15g
Gross Weight (Kg)	14
Interior Temperature (°C)	0 to +5

APPLIANCE OVERVIEW



INSTALLATION

Location and air circulation

- The appliance must stand vertically on a flat, even surface, to level the appliance use the levelling feet by turning them until the appliance is as level as possible.
- This appliance has been designed to operate in ambient temperatures between 16°C and 38°C.
- It is not recommended to place this appliance in a room where the temperature is likely to drop below 5°C for prolonged periods, as the internal appliance temperature will not be maintained.
- The appliance should not be placed near sources of heat e.g. cookers, radiators, direct sunlight or in any unheated rooms e.g. garages, or outhouses, as extreme temperatures will affect the performance of your appliance.
- Do not expose the appliance to damp conditions, open air or rain.
- Do not lift the appliance by the pipes or the door when moving.
- It is not recommended to place the appliance in a wall recess, fitted cabinet or furniture as this will not allow adequate ventilation and cause a potential fire hazard.
- Allow 25mm of clearance space at the sides of the appliance and 20mm above the appliance.
- It is not recommended to place the appliance directly against the wall, allow at least a 15mm clearance space at the rear.

Providing you follow the recommended ventilation requirements you will:

- Increase the life of the appliance.
- Minimise the risk of condensation on the outside of the appliance.
- Minimise operating noises caused by vibration.

Reverse the door

The appliance door can be fitted to open to either the left or the right depending on its location. The appliance will have to be tilted and supported in order to carry this out. It is advisable to get some help during this procedure.

Important: Do not lay the appliance flat as this may damage the coolant system. Take care when fitting and tightening screws.

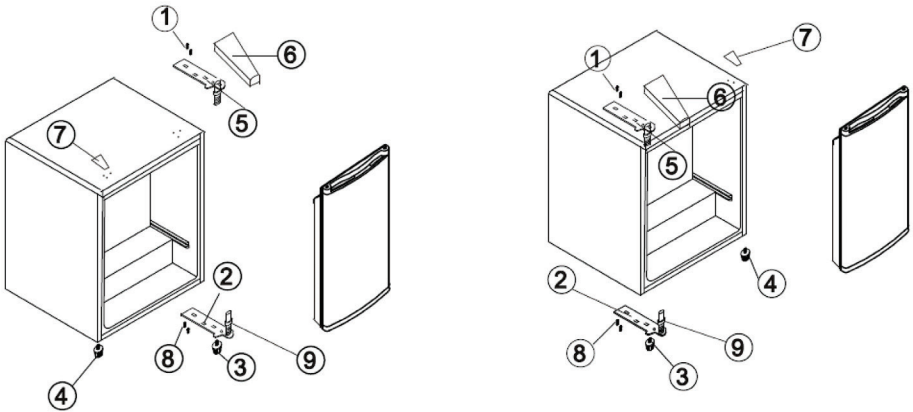
Door Fitting

The fridge door can be lifted to open to either the left or the right depending on its location. The appliance must be tilted and supported in order to carry this out. It is therefore advisable to get some help during this procedure. Take care when fitting and tightening screws.

To change the direction, please follow these instructions.

- Turn off the power.
- Remove the top hinge cover (6), hinge screws (1) and hinge (5) (right side).
- Lift the door and place on a padded surface to prevent scratching it.
- Remove the two screws (8) that hold the lower hinge (2) and make sure to remove the lower hinge (2)
- Remove the left front leg (4) and transfer it to the right side
- Remove the hole cover plate (7) to the right side
- Before placing this lower hinge (2), remove the bolt pin (9) and reverse the direction of the lower hinge (2).

- Then install the lower hinge (2) onto the left side of the lower frame with 2 screws (8)
- Insert the bolt pin (9) to the lower hinge (2)
- Set the door to its place making sure the door sits on the lower hinge (2)
- While holding the door in the closed position secure the upper hinge (5) in the top frame of left side with two screws (1)
- Please remember to not tighten the two screws (1) until the top of the door is levelled with the counter top.
- Install the upper hinge cover (6) on the upper hinge



OPERATING INSTRUCTIONS

Before using your Fridge

Before placing food in the fridge, it needs to be cleaned by wiping the interior using warm water and a soft cloth. Wipe the fridge completely dry before replacing the shelf.

Check that your power outlet is compatible with the plug supplied with the fridge.

IMPORTANT: Always allow at least 4 hours before turning on the fridge to allow the coolant fluid time to settle after the fridge is in place. Failure to do this may result in damage to the appliance and such damage is not covered by the guarantee.

Before placing any food in the fridge it is recommended to leave it 2 hours. This allows you to ensure the fridge is working correctly and gives enough time to allow the temperature in the refrigerator to drop to the correct level.

Using your Fridge

The ideal internal temperature of your fridge should be between +0°C to +5°C. Before turning on the fridge, make sure that the temperature control, which is located at the back of the fridge is set to '3'. Allow 2 hours before placing food in the fridge to allow the temperature to fall to the correct level. Your fridge must NOT be placed in a room where the temperature goes below 16°C or above 32°C for prolonged periods, as the internal fridge temperature will not be maintained.

Using your Ice Box

- It is recommended that food is stored in the icebox for a maximum of 24 hours before use. Some pre-frozen food may defrost and soften slightly during storage. Ice cubes can be stored in the ice box but their quality will depend on the ambient room temperature, thermostat setting, other food items in the fridge and / or usage.
- The ice box door holds against the evaporator and helps to regulate the internal temperature.
- Water may drip off the evaporator during use depending on the ambient room temperature, thermostat setting, other food items in the fridge and /or usage. This can be removed with the aid of a soft cloth

Using your Fridge Efficiently

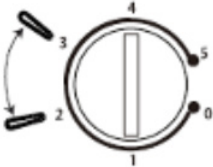
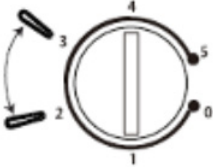

- Take note of foods best before / use by instructions and follow the maximum storage guidelines on the packaging.
- Keep foods covered to help retain moisture and to help prevent odour / flavour transferences. Plastic bags, aluminium foil, plastic food wrap and containers with lids are ideal.
- Avoid opening the door for prolonged periods of time or unnecessarily.
- Allow hot or warm food to cool down in covered containers before placing in the fridge. Hot food will raise the temperature in the fridge and cause the compressor to work more.

Storing Food in your Fridge

To avoid contamination of food, please respect the following instructions

- Opening the door for long periods can cause a significant increase of the temperature in the compartments of the appliance.
- Clean regularly surfaces that can come in contact with food and accessible drainage systems.
- Clean water tanks if they have not been used for 48h; flush the water system connected to a water supply if water has not been drawn for 5 days.
- Store raw meat and fish in suitable containers in the refrigerator, so that it is not in contact with or drip onto other food.
- Two-star frozen-food compartments(if they are presented in the appliance) are suitable for storing pre-frozen food, storing or making ice-cream and making ice cubes.
- One-, two- and three -star compartments (if they are presented in the appliance) are not suitable for the freezing of fresh food.
- If the appliance is left empty for long periods, switch off, defrost, clean, dry and leave the door open to prevent mould developing within the appliance.
- Empty left over tinned food into plastic containers. Do not store food in tins in the fridge
- Position food in the fridge to allow cold air to circulate freely, making sure that nothing touches the back wall of the fridge.

Recommended Setting:

Temperature Setting Recommendation		
Environment Temperature	Freezer Compartment	Fridge Compartment
Summer	/	 <p>Set on 2-3</p>
Normal	/	 <p>Set on 2-3</p>
Winter	/	 <p>Set on 1-2</p>

- Information above give users recommendation of temperature setting.

Impact on Food Storage

- Under Recommended setting, the best storage time of fridge is no more than 3 days.
- The best storage time may reduce under other settings.

To avoid food waste, please refer to the recommended setting and storage times found in the user manual.

Load limits are determined by baskets, flaps, drawers, shelves etc. Make sure that these components can still close easily after loading.

Refrigerator compartments	Type of food
Door or balconies of fridge compartment	<ul style="list-style-type: none"> • Foods with natural preservatives, such as jams, juices, drinks, condiments. • Do not store perishable foods.
Crisper drawer (salad drawer)	<ul style="list-style-type: none"> • Fruits, herbs and vegetables should be placed separately in the crisper bin. • Do not store bananas, onions, potatoes, garlic in the refrigerator.
<ul style="list-style-type: none"> • Fridge shelf – bottom • Chiller (box/drawer) 	<ul style="list-style-type: none"> • Raw meat, poultry, fish (for short-term storage)
Fridge shelf – middle	<ul style="list-style-type: none"> • Dairy products, eggs
Fridge shelf – top	<ul style="list-style-type: none"> • Foods that do not need cooking, such as ready-to-eat foods, deli meats, leftovers.
Freezer drawer(s)/shelf	<ul style="list-style-type: none"> • Foods for long-term storage. • Bottom drawer/shelf for raw meat, poultry, fish. • Middle drawer/shelf for frozen vegetables, chips. • Top drawer/shelf for ice cream, frozen fruit, frozen baked goods.

Defrosting

After a period of time, frost will build up in the ice box. Regular defrosting will therefore be necessary to maintain the efficiency of the refrigerator. Defrosting should be carried out if the frost build up begins to interfere with the food storage. The best time to defrost your ice box is when the amount stored in the ice box is low, for example before you go shopping. To defrost the ice box follow the steps below:

1. Take out the frozen food, turn the refrigerator off at the mains supply and leave the door open. Ideally the frozen food should be put into another freezer or refrigerator. To speed up the defrosting process, a bowl of hot water can be placed inside the ice box to raise the temperature.
2. Remove the ice with an ice scrapper. Do not use pointed or sharp edged objects such as knives, forks or screw drivers to remove the ice.
3. When all traces of ice have been removed and defrosting is completed, clean away any water and wipe your refrigerator dry.
4. Clean your refrigerator as described below, plug in and switch the refrigerator back on. Allow enough time for the temperature to fall to the correct level before putting the food back in to the ice box.

CLEANING AND MAINTENANCE

Switch off the electrical supply and remove the plug from the socket before cleaning.

Interior

1. Remove all food from the fridge and cover to help keep it cool.
2. Remove the shelf from the fridge and defrost the ice box following the instructions above. Wash the shelf in warm soapy water with a soft cloth and dry thoroughly. Never put the shelf into the fridge wet.
3. Wipe the interior of the fridge with a damp clean cloth. For extra cleaning use a solution of one teaspoon of bicarbonate of soda to one pint of water.
4. Dry the interior thoroughly with a clean cloth and replace the shelf.
5. Plug in and switch back on and allow the temperature in the fridge to drop to the correct temperature.
6. Replace the food in the fridge.

Exterior

Use a clean, damp soft cloth to wipe the exterior surface of the fridge and dry thoroughly.

WARNING: Do not use abrasive powder, household cleaner, bleach or wax polish to clean the fridge as these can leave a smell in the fridge and can damage the exterior.

Use a vacuum cleaner to remove dust from underneath the fridge and from around the compressor situated at the back of the fridge. Use caution not to damage the coolant system.

Door Seal

Use a clean, damp soft cloth to wipe the door seal and in between the creases of it. Take care not to damage the seal and do not use sharp objects to clean it. Ensure that the seal is dried thoroughly before using the fridge. Do not use detergent on the seal as it will cause damage to it.

Going Away

If you are going away and do not want to leave the fridge left on, switch off at the socket and pull the plug from the mains. Remove any food and follow the defrosting and cleaning instructions in the “Defrosting” and “Cleaning and Maintenance” sections.

Note: Leave the door ajar as this will prevent odours accumulating in fridge and will allow the fridge to dry completely.

Operating Sounds of a Fridge

If you have not owned a fridge before, you may notice that it makes some rather unusual noises. Most of these are perfectly normal, but you should be aware of them!

The compressor makes a buzzing or humming sound when it is running. This can be louder when the fridge is first switched on but should become quieter in a few months.

Gases flowing through the cooling system can cause a gurgling, bubbling or whooshing sound. These noises are normal and have become more pronounced since the introduction of CFC free gases.

Expansion and contraction of parts inside the fridge can produce a cracking noise as they rapidly change temperature.

DISPOSAL INFORMATION

The European Directive 2012/19/EU on Waste Electrical and Electronic Equipment (WEEE), requires that old household electrical appliances must not be disposed of in normal unsorted municipal waste.



Old appliances must be collected separately in order to optimise the recovery and recycling of the materials they contain and reduce the impact on human health and the environment.

The crossed out “wheeled bin” symbol on the product reminds you of your obligation, that when you dispose of the appliance it must be separately collected. Consumers should contact their local authority or retailer for information concerning the correct disposal of their old appliance.

Doors and lids of the refrigeration appliance should be removed before disposal in the landfill, to avoid children or animals getting trapped inside.

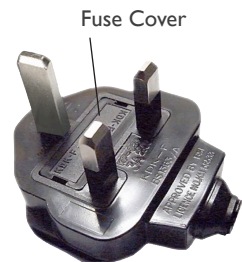


WARNING: During use, service and disposal of the appliance, please pay attention to the symbol as shown on the left side. This is located on rear of the appliance (rear panel or compressor). It is a risk of fire warning symbol. There are flammable materials in both the refrigerant pipes and compressor. Please ensure the appliance is located well away from ignition sources during use, service and disposal.

MAINS PLUG FUSE REPLACEMENT

Fuse Replacement (Class I)

This appliance must be earthed. Remove the fuse cover with a small flat head screw driver. Take out the fuse and replace with a new fuse of the same Amp. Replace the fuse cover and push back into place.



TROUBLESHOOTING

If you are having problems with your appliance, please use our troubleshooting guide below. If you are unable to resolve the issue using this guide please ring our Customer Service Department on 0844 848 5861. Please have the model code and purchase information available.

Fault	Possible cause	Solution
The fridge does not work.	<ol style="list-style-type: none"> 1. Not properly plugged into the mains wall socket. 2. No electricity in the mains wall socket. 3. The door is not closed properly. 	<ol style="list-style-type: none"> 1. Plug in firmly. 2. Check fuse or breaker. 3. Make sure the door is properly aligned and creates a seal around the door.
The fridge is making a lot of noise.	<ol style="list-style-type: none"> 1. The pipe work is touching the wall or skirting board. 2. The fridge has not been levelled properly. 	<ol style="list-style-type: none"> 1. Pull the fridge forward so it does not touch the wall or skirting board. 2. Adjust the feet at the front of the fridge, ensuring they are in firm contact with the floor.
The temperature in the fridge is too warm.	<ol style="list-style-type: none"> 1. The thermostat is set too high for your environment. 2. The fridge is too close to a heat source. 3. There is not enough ventilation around the fridge.. 4. The door is not closed properly. 	<ol style="list-style-type: none"> 1. Turn the thermostat to a higher setting. 2. Move the fridge away from the heat source and out of direct sunlight. 3. Ensure there is a minimum gap of 10mm at each side and 30mm above the fridge. 4. Ensure that the door is properly closed and the seal is not damaged.
Ice builds up rapidly inside the ice box.	<ol style="list-style-type: none"> 1. Door is not closed properly. 2. Door open too long and warm air condensates in the ice box. 3. The ice box needs defrosting 	<ol style="list-style-type: none"> 1. Check to see if anything is stopping the door from closing properly. 2. Ensure the door is not left open any longer than needed. 3. Ensure advised periodic defrosting has been carried out



Igenix Warranty Terms & Conditions

This product is guaranteed for a period of 12 months as standard from the date of purchase against mechanical and electrical defects. You can extend your warranty for a further 12 months by registering your product.

Upon registration we will cover your product for a period of 24 months from the original purchase date against any mechanical or electrical defects.

To qualify for the warranty, the product must be used for domestic household use only and in accordance with the instructions in the user manual. Any misuse of the product will result in the warranty being void.

The warranty does not cover accidental damage, misuse, neglect, tampering or incorrect adjustment or installation.

The warranty will be rendered invalid if the product is resold, has had its serial number removed (or has an invalid serial number), or if an unauthorised person has carried out any repairs or alterations.

The warranty does not cover accessories or consumable parts that require replacement under normal use. This includes shelving, dials, filters, belts and trays etc.

In the unlikely event of a breakdown please refer to the Troubleshooting guide in your user manual and check all plugs, fuses and the electricity supply.

If you still require assistance please contact our Customer Service department on **01473 271 272** or write to us at the following address:

**Customer Service Department
38 Bluestem Road, Ransomes Europark
Ipswich, IP3 9RR**

Please quote the Product Code which begins 'IG' or 'DF' and the PO Number on the front of the manual, and give details of the exact fault. We will then decide whether to repair or replace the item.

Before we arrange the repair or replacement you will be required to return a copy of your proof of purchase. Please retain your original.

If an item is replaced within the agreed warranty period, the warranty for the replacement item will be calculated from the purchase date of the original.

In the event that the product is inspected and no fault is found or the product is not within the warranty period you will be charged for the repair and any carriage costs.



Thank you for choosing Igenix

As a valued customer we would like to offer you a FREE 2 year warranty to cover your product against any electrical or mechanical defects.

This means that in the unlikely event you develop a fault or problem with your product we will happily repair or replace the item free of charge.

To qualify for the 2 year warranty you must register your product within 30 days of purchase. The full Terms & Conditions of our warranty policy are shown on the opposite page. They are also available on our website. **www.igenix.co.uk**

The model information can be retrieved using the QR-Code reported in the energy label.
The label also includes the model identifier that can be used to consult the portal of the
registry at

<https://eprel.ec.europa.eu>

This product contains a light source of energy efficiency class G (if present).

igenix

38 Bluestem Road, Ransomes Europark, Ipswich, IP3 9RR

Tel. 01473 271 272

Disclaimer: Igenix operate a policy of continual improvement and development.
We therefore reserve the right to change/alter the specification and appearance of our appliances without prior notice.
All diagrams and images shown in this manual are for illustration purposes only.