



Logan Collection

Extra Flex[®]
Soft, Supportive Seating

Colours represented are to be used as a guide only.
Please refer to manufacturers swatch for a more accurate colour match.

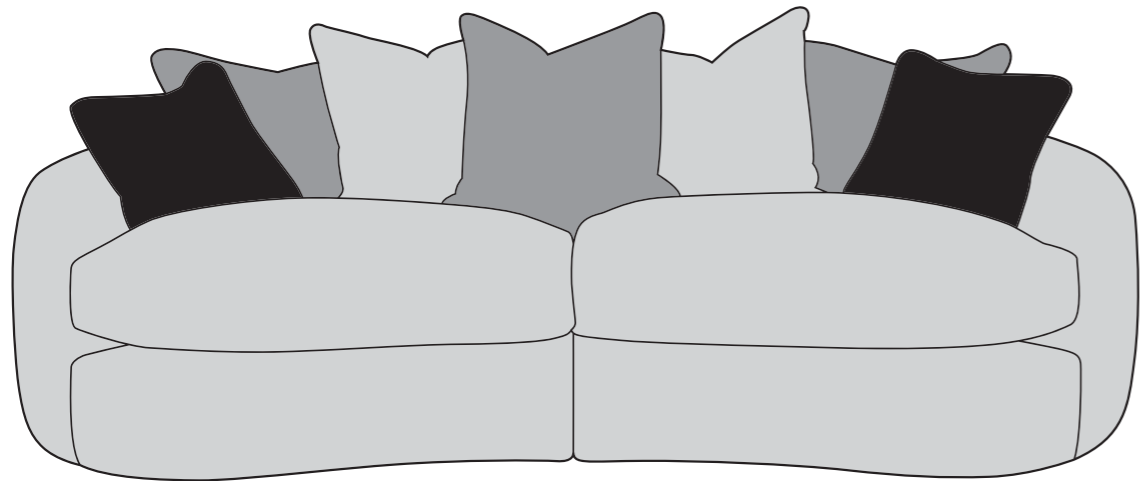
Please note that colour shadings can vary slightly from each roll of fabric.
We cannot guarantee a precise match to these samples or between cut lengths and upholstered goods.

27/02/2024

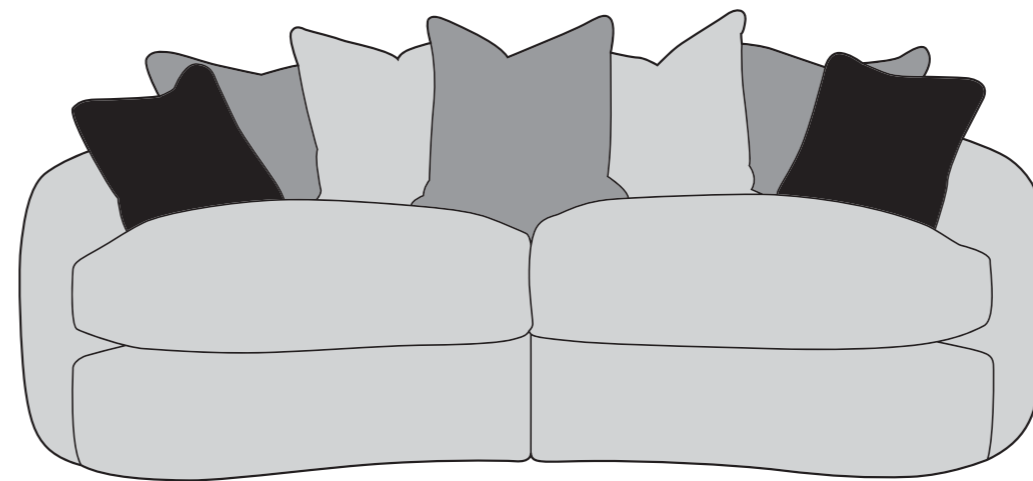
LOGAN COVER GUIDE: PILLOW BACK

Please use this guide when ordering the following pieces to clarify cover options.

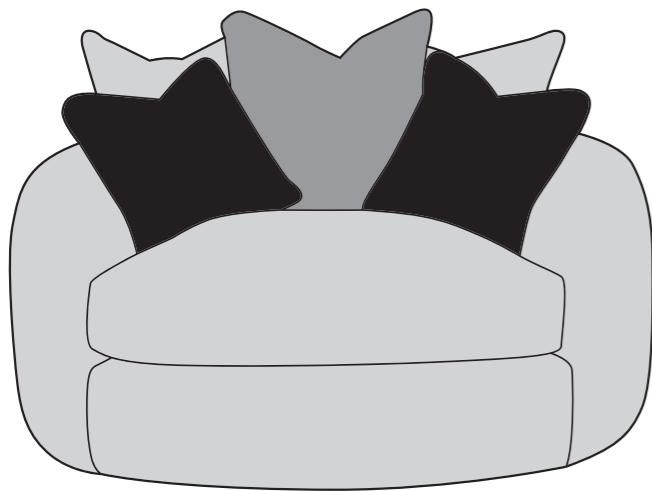
4 Seater Modular - 4MD-P-C



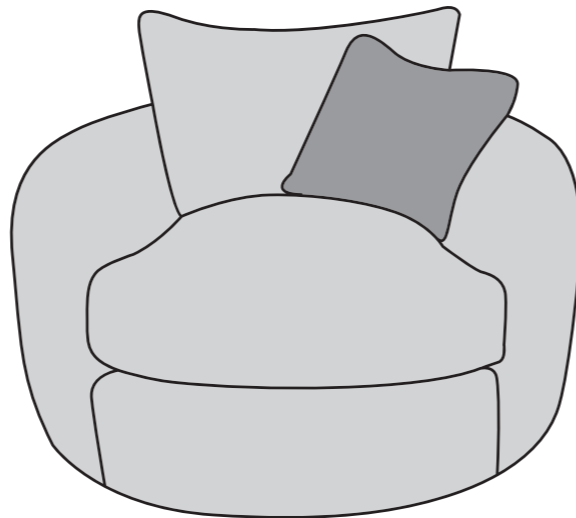
3 Seater Sofa - 3MD-P-C



Love Chair - LOV -P-C



Arm Chair - 1ST-S-C
(Standard Back Only)



COVER 1
(BODY/
PILLOW)

COVER 2
(PILLOW)

COVER 3
(SCATTER)

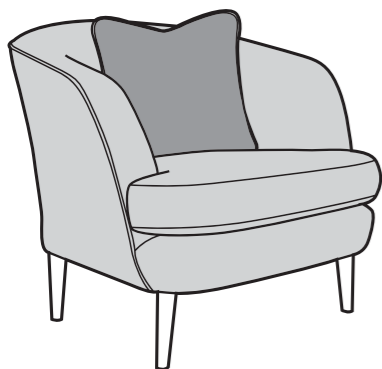
Scatter Cushions



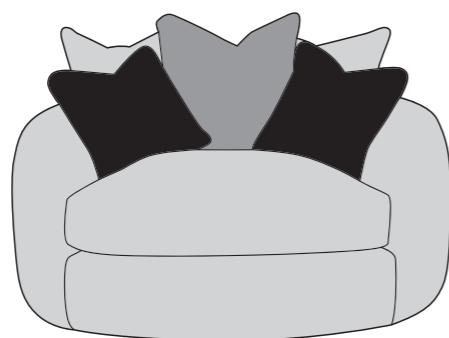
Front = Cover 3
Back = Cover 3

SUGGESTED ACCENT PIECES

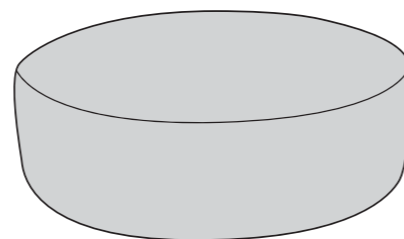
Nora Accent Chair (ACH)



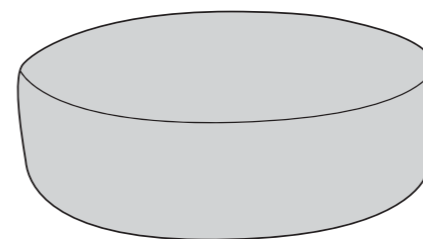
Swivel Chair - SWC-P-C



Arc Footstool (FST)



Logan Swivel Stool (FST)



LOGAN DIMENSIONS (CM)

AVAILABLE PIECES	HEIGHT 1	WIDTH 2	DEPTH 3	SEAT HEIGHT 4	SEAT DEPTH 5	SEAT WIDTH 6	ACCESS DIAGONAL 7	OUTBACK HEIGHT 8	ARM HEIGHT 9	WEIGHT (KG)	SCATTER CUSHIONS
4 SEATER MODULAR (4MD)	85	252	107	54	46	201	236	68	67	78.5	2
4ML / 4MR UNIT	85	126	107	54	46	100	144	68	67	38	2
3 SEATER MODULAR (3MD)	85	227	107	54	46	175	210	68	67	70.5	2
3ML / 3MR UNIT	85	113	107	54	46	86	131	68	67	34	2
LOVE CHAIR (LOV)	85	143	110	54	60	91	141	68	67	48	2
ARM CHAIR (1ST)	85	122	110	54	68	70	124	68	67	40	1
ACCENT PIECES											
LOGAN SWIVEL CHAIR (SWC)	86	143	110	54	60	91	141	68	68	52	2
NORA ACCENT CHAIR	75	82	85	45	n/a	47	93	N/A	67	18.5	1
ARC FOOTSTOOL (FST)	33	97	97	N/A	N/A	N/A	N/A	N/A	N/A	22	N/A
LOGAN SWIVEL STOOL (FST)	35	97	97	N/A	N/A	N/A	N/A	N/A	N/A	25.5	N/A

* Hardwood & composite board frame.

* Dowelled, screwed, glued & stapled joinery.

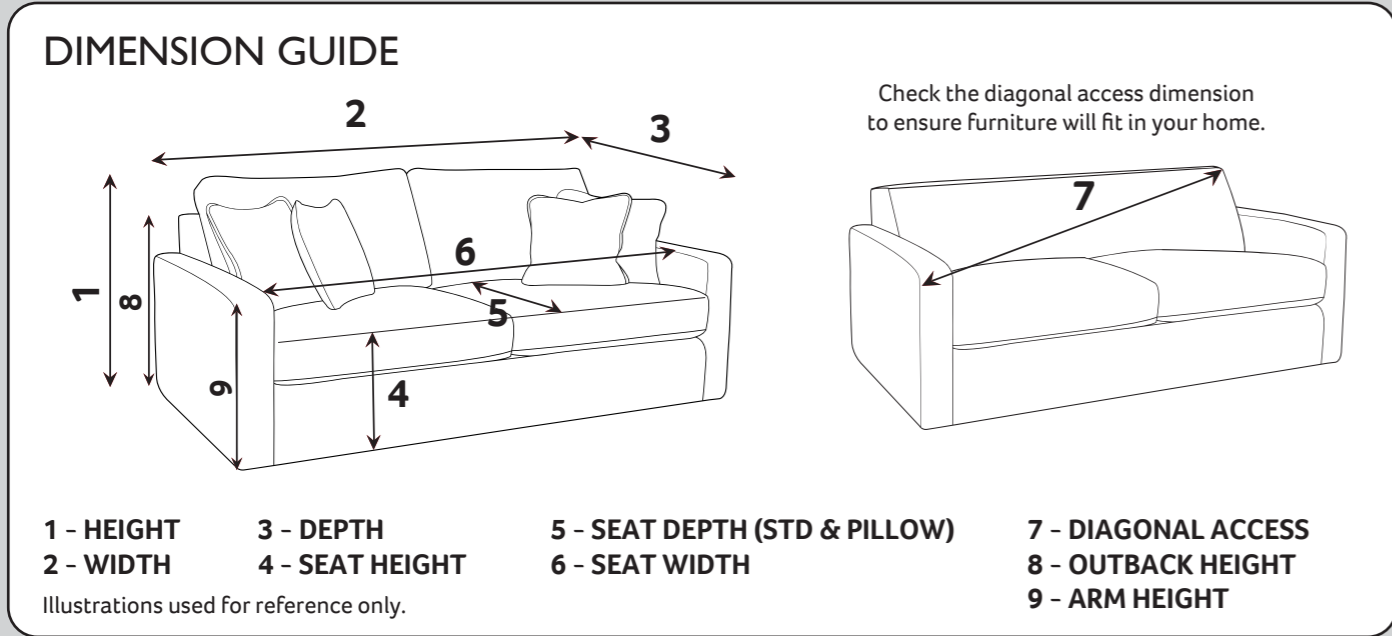
* Extraflex high comfort seat cushions.

* Sumptuous feather pillow backs and scatters included for added comfort.



* Serpentine seat springs & silent wire.

* Elasticated back webbing.



Extra Flex®

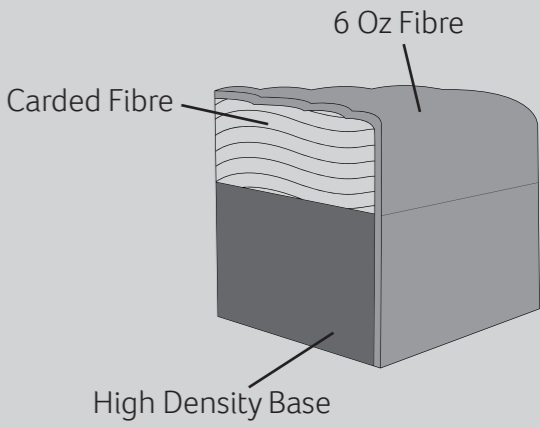
A high density foam base seat interior with a hand-rolled carded fibre, channelled topper which provides both softness and support.

CARE GUIDE

Extraflex seat cushions should be **plumped up on a regular basis** to help maintain the aesthetical appeal of your upholstery, the plumping of cushions is essential to help retain the comfort and softness of any piece of upholstered furniture.

To improve the longevity of your hand-made furniture, we recommend rotating cushions (where applicable).

For further information on maintaining your furniture please refer to the care guide located under the seat platform.



Please note : All dimension are approximate. Allow tolerance of +/- 2.5cm.

