



# Annie Collection

Please note that colour shadings can vary slightly from each roll of fabric.  
We cannot guarantee a precise match to these samples or between cut lengths and upholstered goods.

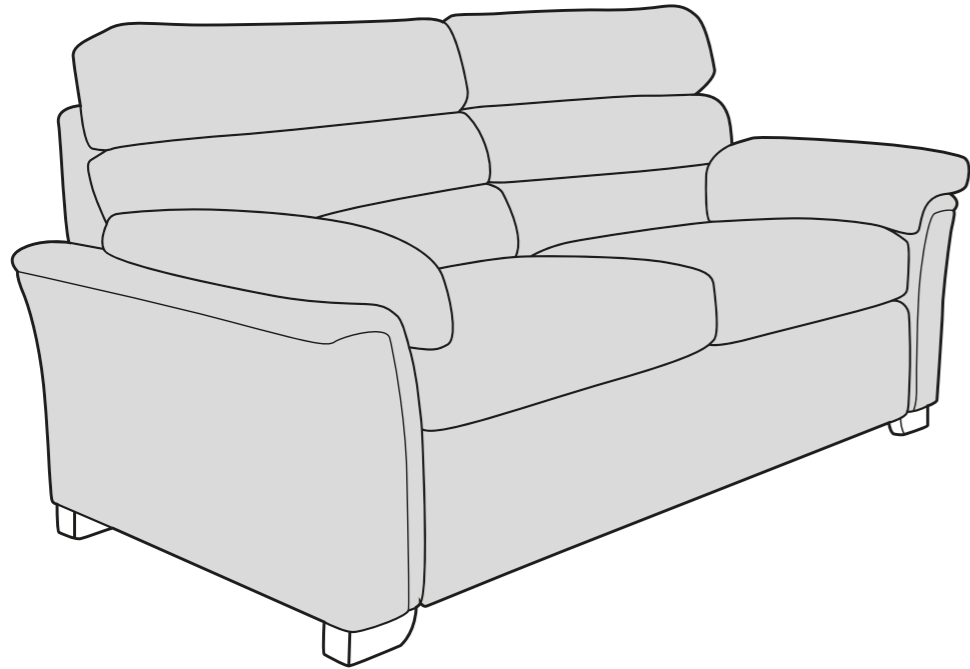
motion  
lounger  
motion made modern

**DuoFlex**

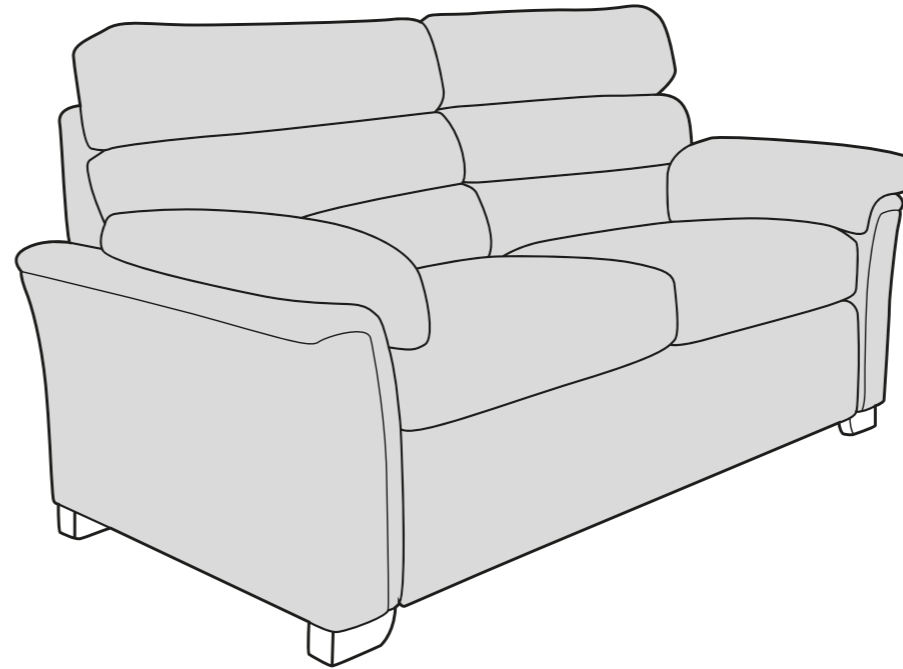
# ANNIE COVER GUIDE - STANDARD BACK - STATIC

Please use this guide when ordering the following pieces to clarify cover options.

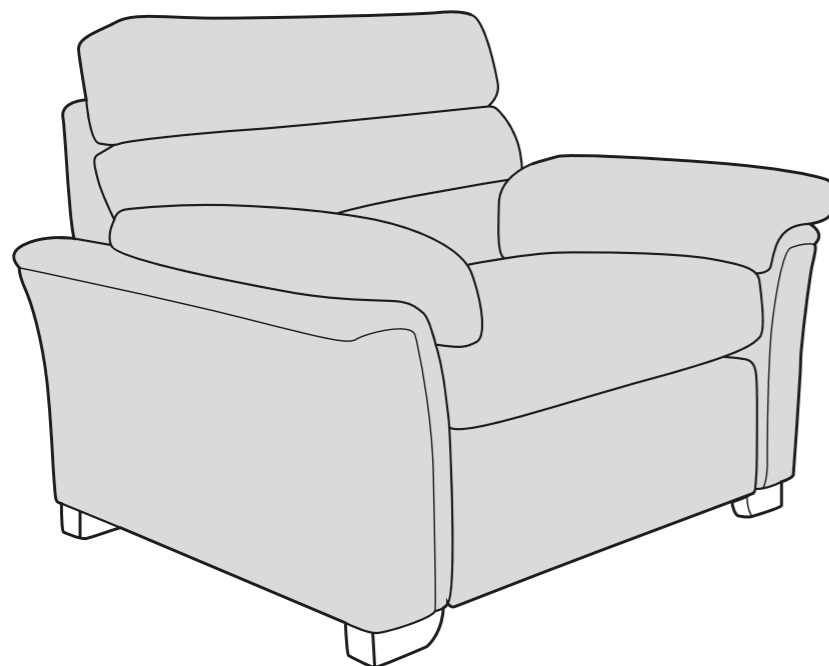
3 Seater sofa - 3ST-S



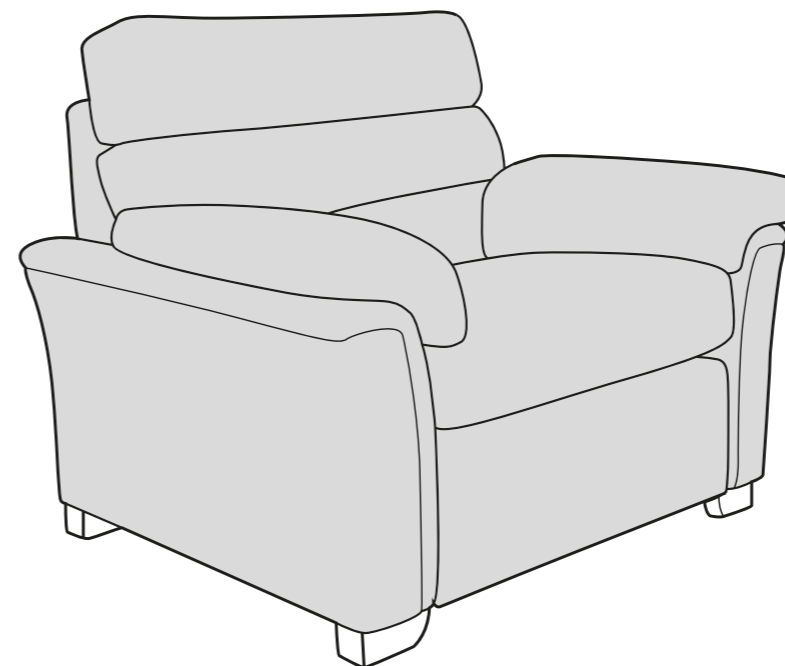
2 Seater sofa - 2ST-S



Love Chair - LOV-S



Arm Chair 1ST-S



APPROVED MEMBER

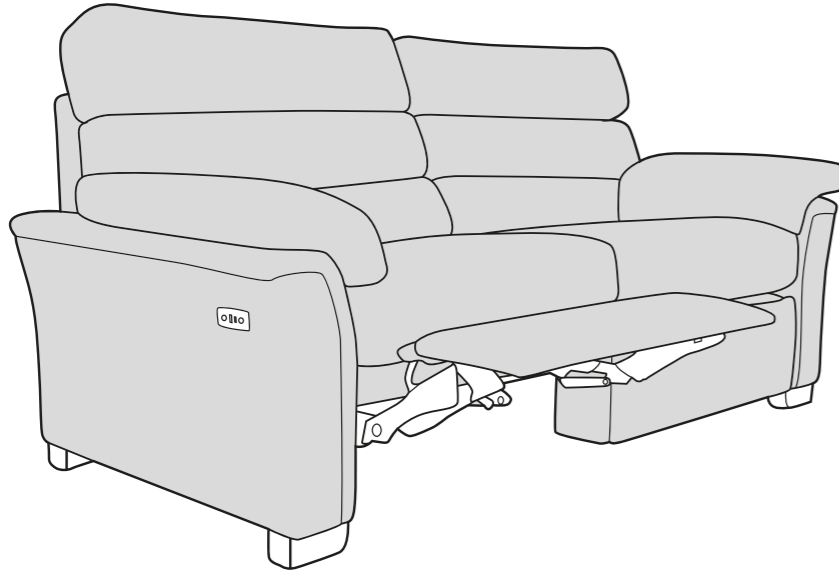




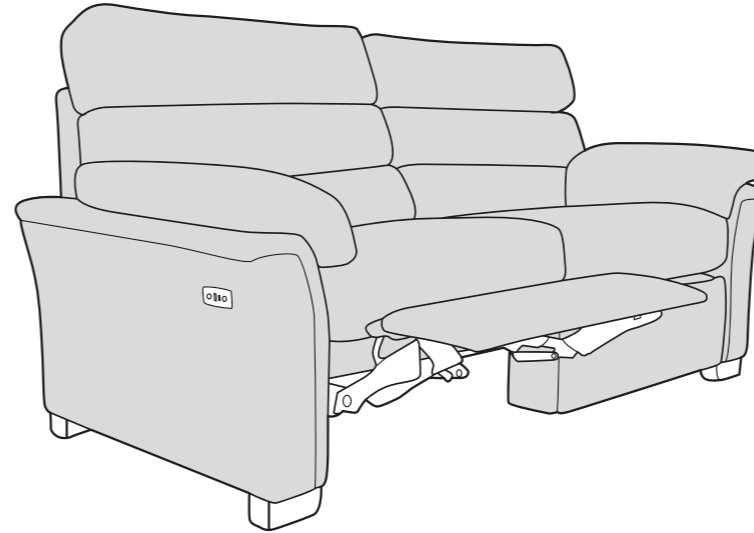
# ANNIE COVER GUIDE - MOTION LOUNGER

Please use this guide when ordering the following pieces to clarify cover options.

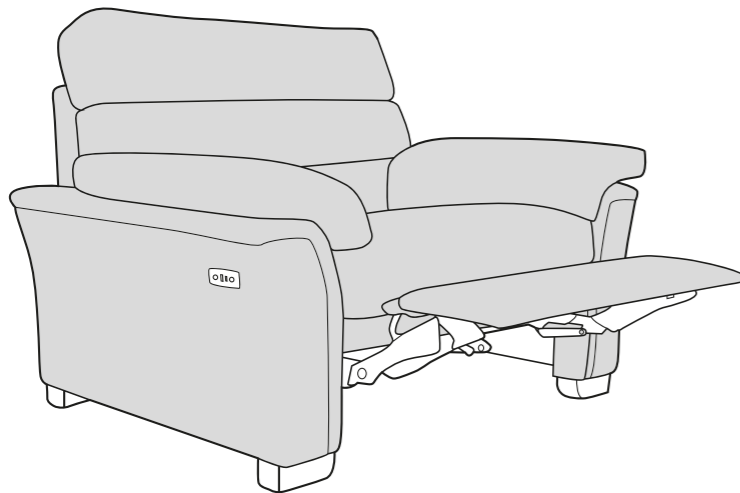
**3 Seater Motion Lounger - 3LR-S**



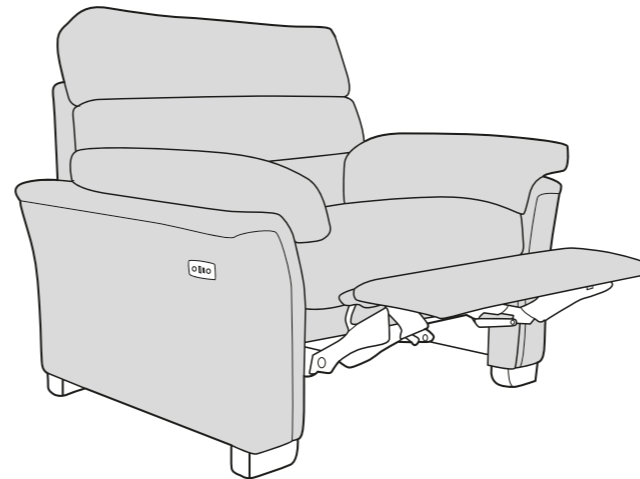
**2 Seater Motion Lounger - 2LR-S**



**Love Chair Motion Lounger - LLR-S**

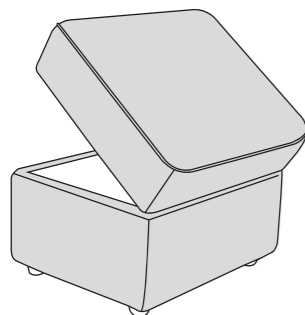


**Arm Chair Motion Lounger - 1LR-S**



## SUGGESTED ACCENT PIECE

**Storage Footstool (FSS)**



motion  
lounger  
motion made modern

 **BFM**  
BRITISH FURNITURE  
MANUFACTURERS  
**APPROVED MEMBER**

**A©ID**  
ANTI COPYING IN DESIGN

# ANNIE DIMENSIONS (CM)

AVAILABLE PIECES	HEIGHT 1	WIDTH 2	DEPTH 3	SEAT HEIGHT 4	SEAT DEPTH 5	SEAT WIDTH 6	ACCESS DIAGONAL 7	OUTBACK HEIGHT 8	ARM HEIGHT 9	WEIGHT - MOTION LOUNGER(KG)	WEIGHT - STATIC (KG)
3 SEATER MOTION LOUNGER (3LR) / 3 SEATER SOFA (3ST)	103	206	92	57	57	145	225	85	70	TBC	TBC
2 SEATER MOTION LOUNGER (2LR) / 2 SEATER SOFA (2ST)	103	176	92	57	57	115	198	85	70	TBC	TBC
MOTION LOUNGER LOVE CHAIR (LLR) / LOVE CHAIR (LOV)	103	126	92	57	57	65	156	85	70	TBC	TBC
MOTION LOUNGER ARMCHAIR (1LR) / ARMCHAIR (1ST)	103	110	92	57	57	49	143	85	70	TBC	TBC
<b>ACCENT PIECES</b>											
STORAGE FOOTSTOOL (FSS)	45	63	50	N/A	N/A	N/A	75	N/A	N/A	N/A	12.5

\* Hardwood & composite board frame.

\* Dowelled, screwed, glued & stapled joinery.

\* Reversible High performance DuoFlex seating.

\* Fibre filled backs for added comfort.

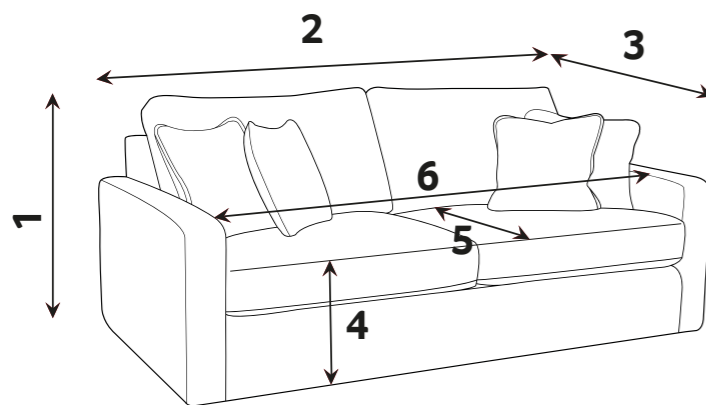
\* Back cushions secured with zips.

\* Motion Lounger features a built in USB/USBC device charger.

\* Serpentine seat springs & Silent Wire.

\* Elasticated Back webbing.

## DIMENSION GUIDE



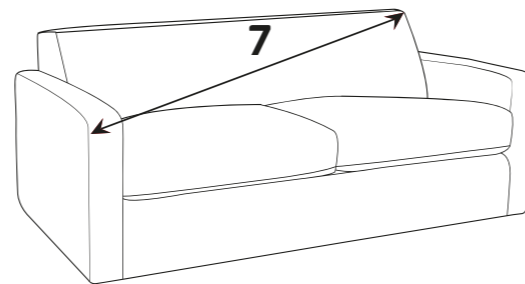
1 - HEIGHT  
2 - WIDTH

3 - DEPTH  
4 - SEAT HEIGHT

5 - SEAT DEPTH (STD & PILLOW)  
6 - SEAT WIDTH

7 - DIAGONAL ACCESS

Check the diagonal access dimension to ensure furniture will fit in your home.



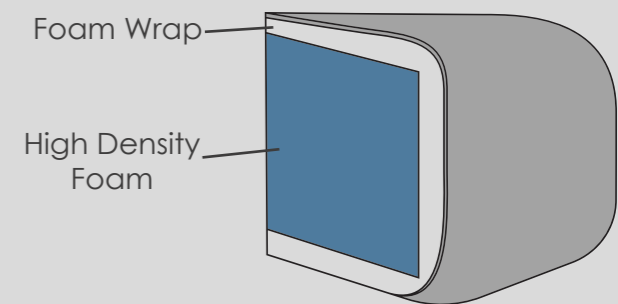
Illustrations used for reference only.

## DuoFlex

A high density foam seat with a foam wrap. DuoFlex seat cushions are fully reversible.

### CARE GUIDE

To improve the longevity of your hand-made furniture, we recommend turning cushions often to ensure even wear over time. For further information on maintaining your furniture, please refer to the Care Guide located under the seat platform.



The DuoFlex seat interior has been granted the FIRA GOLD Award, a mark of quality under-pinning all necessary testing of the product materials, design and production techniques.



Mid Oak

Walnut



FOOT OPTIONS:

Please note: All dimensions are approximate. Allow tolerance of +/- 2.5cm.

Wood is a natural product and will vary in shade/colour from item to item. Feet may require fitting.

28/02/2024

