

# ASSEMBLY INSTRUCTIONS

## 90CM BUNK BED

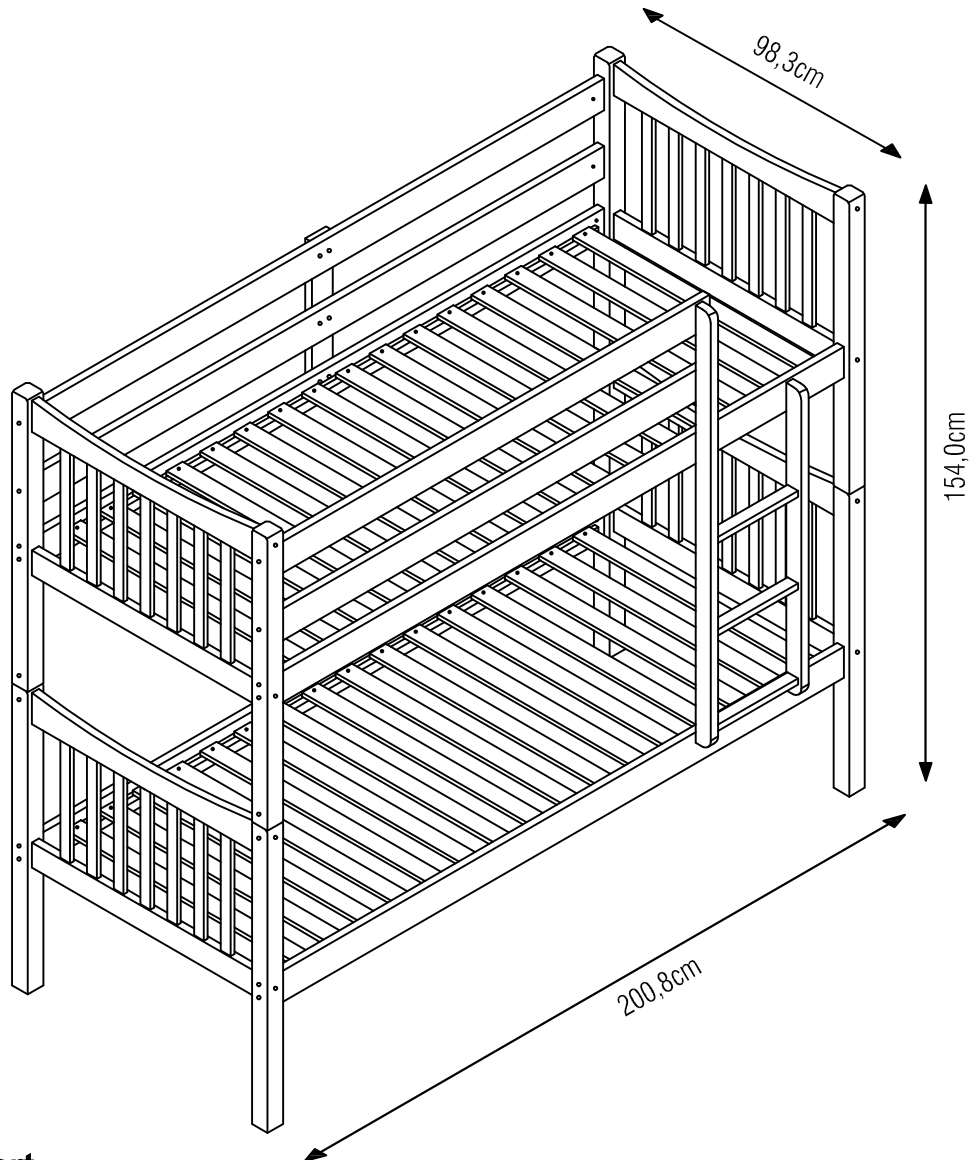
Approximate Assembly Time



People Required to Assemble



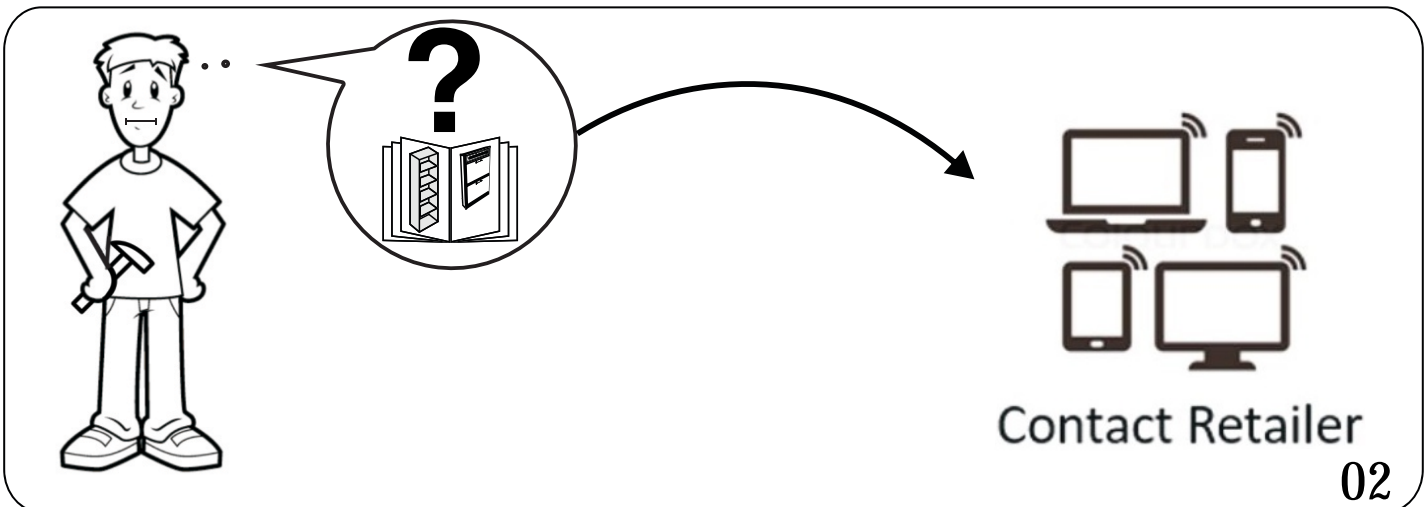
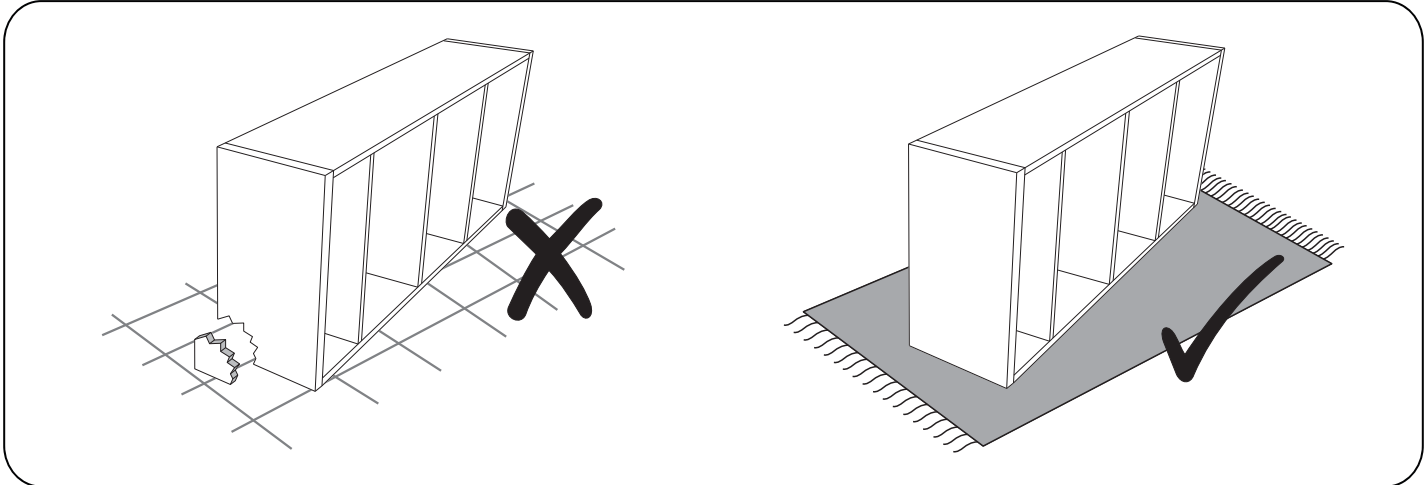
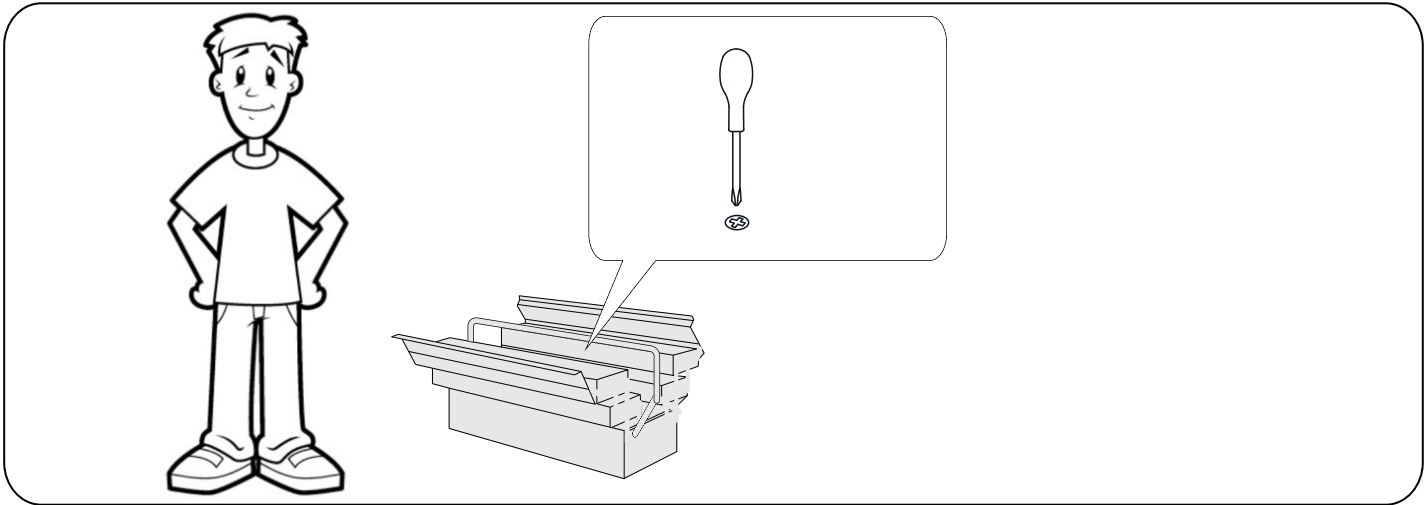
Tools Required



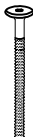








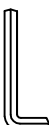

### Before you start...

Please carefully unpack and lay out all of the component parts to ensure nothing is missing and to check each component for any obvious damage.

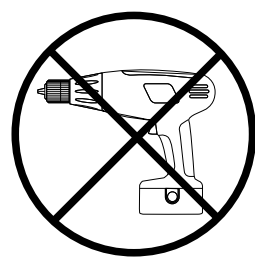
Should you identify any concerns at this stage please contact the retailer from whom this product was purchased. Please quote your order number, details of your issue, the product code, and the batch number from the cartons which will help to resolve your issue as quickly as possible.



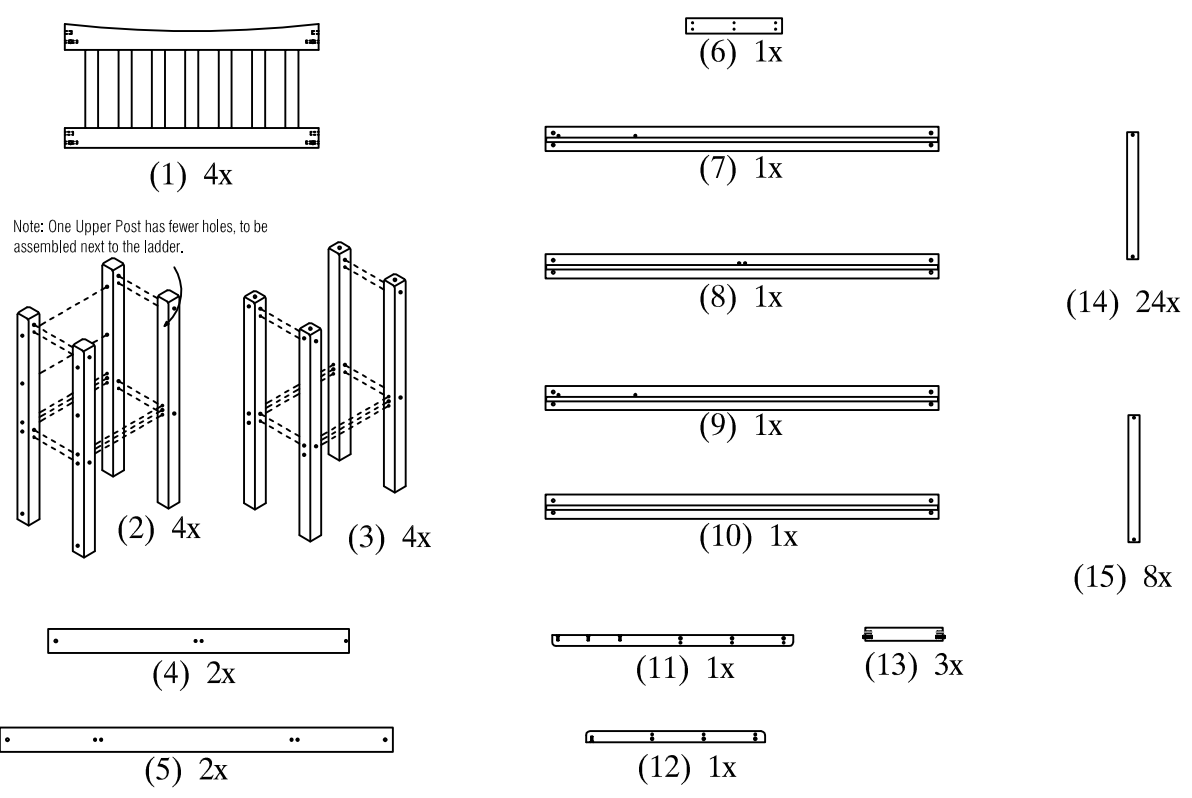
Please check all hardware matches the list below. Should you notice any are missing please contact your retailer.

- |   |   |   |  |  |  |   |  |   |   |   |
|---|---|---|--|--|--|---|--|---|---|---|
| JCBC<br>M6 x 90mm<br><br>A | JCBC<br>M6 x 35mm<br><br>B | Barrel Nut<br>M6 x 15mm<br><br>C | Wood Dowel<br>M10 x 40mm<br><br>D | Metal Pin<br>M10 x 100mm<br><br>E | Csk<br>M4 x 25mm<br><br>F | M4<br>Allen Key<br><br>G | Block<br><br>H | JCBB<br>M8 x 35mm<br><br>I | M5<br>Allen Key<br><br>J | Pad<br><br>K |
| 38x   | 30x   | 38x   | 8x   | 4x   | 48x  | 1x  | 1x   | 12x   | 1x  | 8x  |

We strongly advise that you do not use Power Tools, such as drills or electric screwdrivers during the assembly as this may cause irreparable damage and will invalidate your warranty.



## PARTS



Please ensure you carefully check all the pieces, should you have any concerns please contact the retailer before assembly commences. Please have your order number, detail of the issue, the product code, and the batch number from the cartons as this will help us to resolve your issue much faster.

# Important Information

**WARNING:** High beds and the upper bed of bunks beds are not suitable for children under six years due to the risk of injury from falls

**WARNING:** Bunk beds and high beds can present a serious risk of injury from strangulation if not used correctly.

Never attach or hang items to any part of the bed that are not designed to be used with the bed, for example, but not limited to, ropes, strings, cords, hooks, belts and bags.

**WARNING:** Children can become trapped between the bed and the wall, a roof pitch, the ceiling, adjoining pieces of furniture (e.g. cupboards) and the like. To avoid risk of serious injury, the distance between the top safety barrier and the adjoining structure shall not exceed 75mm or shall be more than 230mm.

**WARNING:** Do not use the bunk bed/high bed if any structural part is broken or missing and always follow the manufacturer's instructions.

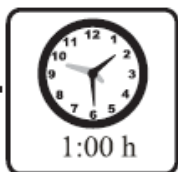
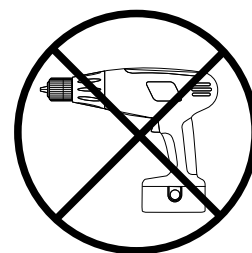
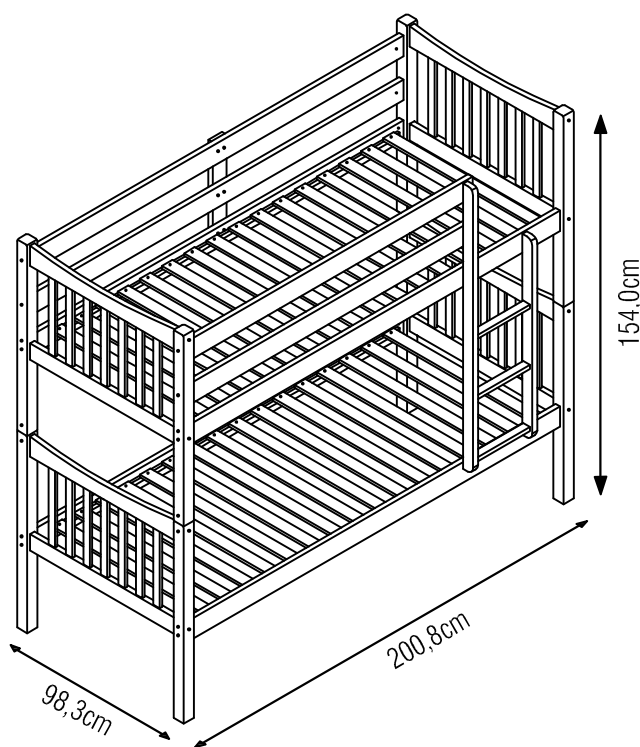
The largest size of mattress recommended for safe use is 190cm x 90cm with maximum thickness of 18cm (7 inch).

Frequent ventilation of the room is necessary to ensure that humidity is kept low and to prevent mould forming in and around the bed.

This bunk complies with BS EN 747-1:2012+A1:2015

These labels are not to be removed.

This bunk bed is not designed to be split for use as 2 beds.



## ASSEMBLY ADVICE

Please take the time to carefully read through these instructions before you commence.

Keep these instructions for future reference.

We advise that the product is assembled in the room it is intended for.

We advise that you keep the hardware in a bowl during assembly to avoid losing anything.

We strongly recommend that you keep children away from the work area.

Small component parts could choke a child if swallowed.

We recommend you use a sheet or blanket to protect both floor and product through the assembly stages.

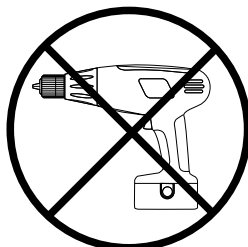
This product is heavy, and we recommend a 2 person lift to avoid personal injury or damage to the product.

Never push or pull the product as this could cause both personal injury or irreparable damage to product or floor.

We have tried to make this piece of furniture easy to assemble if the instructions are followed carefully.

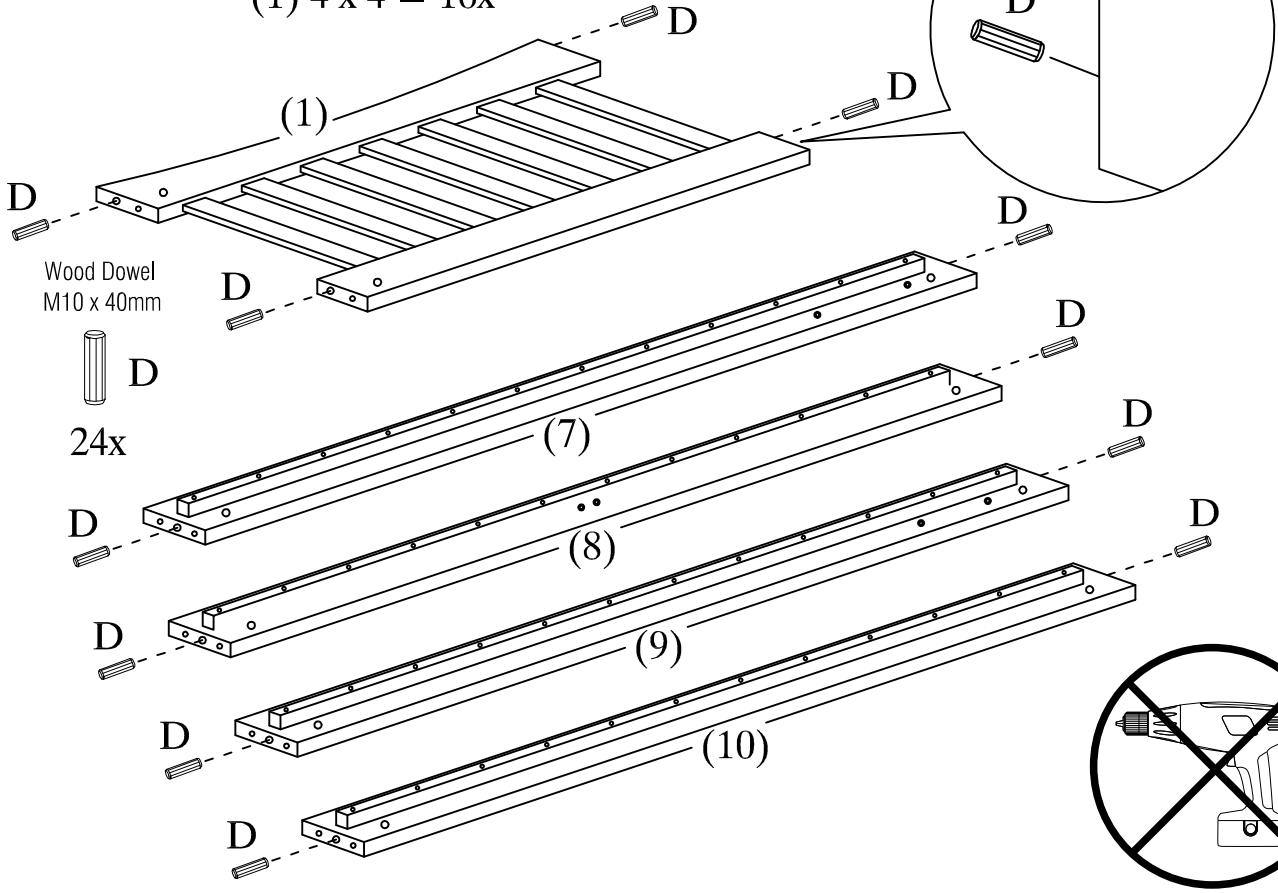
In the unlikely event that you have problems with assembling the product or have missing or damaged parts, please contact your retailer and we will assist them in rectifying the problem as quickly as possible.

Please remember we strongly urge you **DO NOT** use power tools such as drill or electric screwdrivers as this could cause irreparable damage to your product and will invalidate your warranty.



# 1

(1) 4 x 4 = 16x



Wood Dowel  
M10 x 40mm



24x

JBCB  
M6 x 90mm

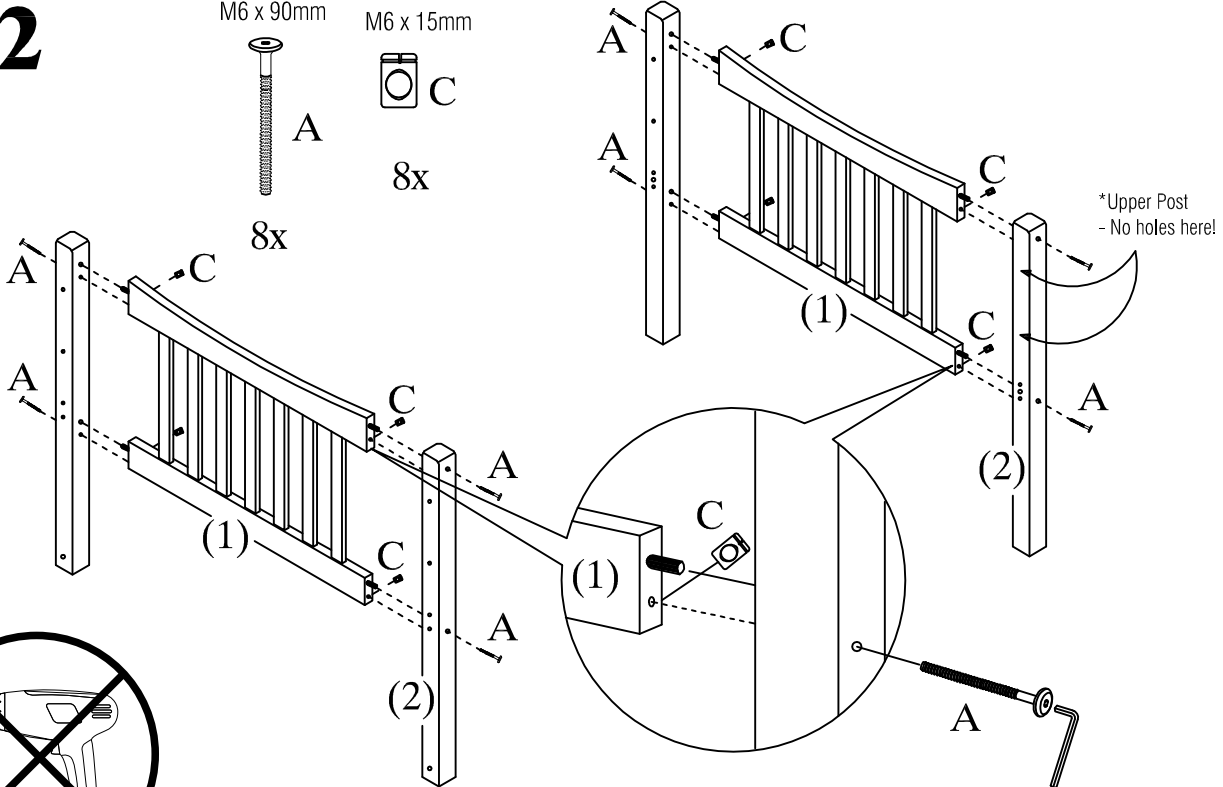
Barrel Nut  
M6 x 15mm

# 2



8x

8x

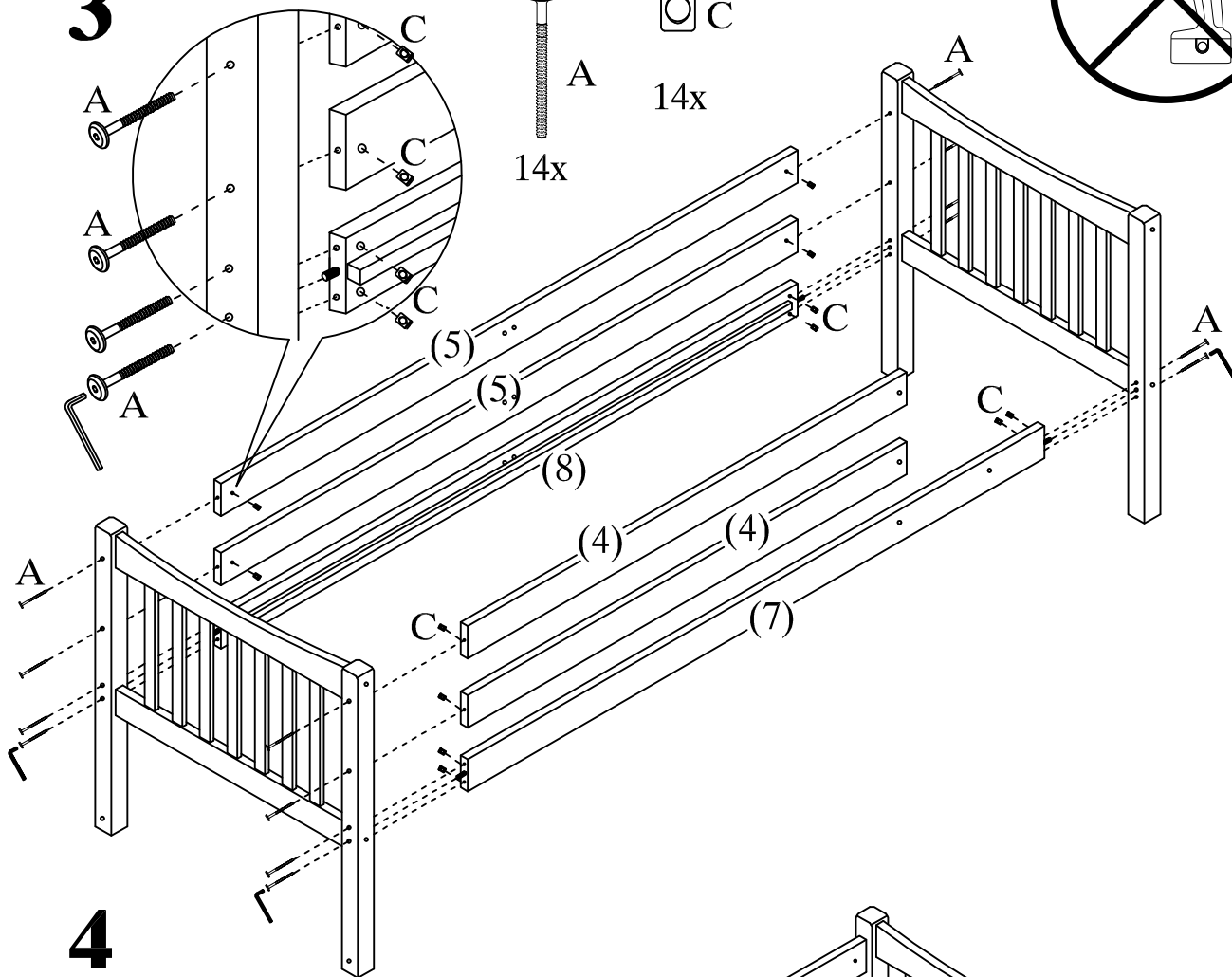
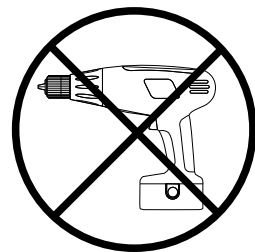


\*Upper Post  
- No holes here!

**3**

JCB  
M6 x 90mm

Barrel Nut  
M6 x 15mm

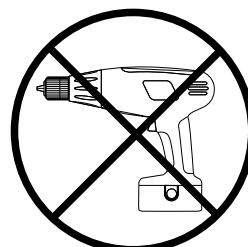
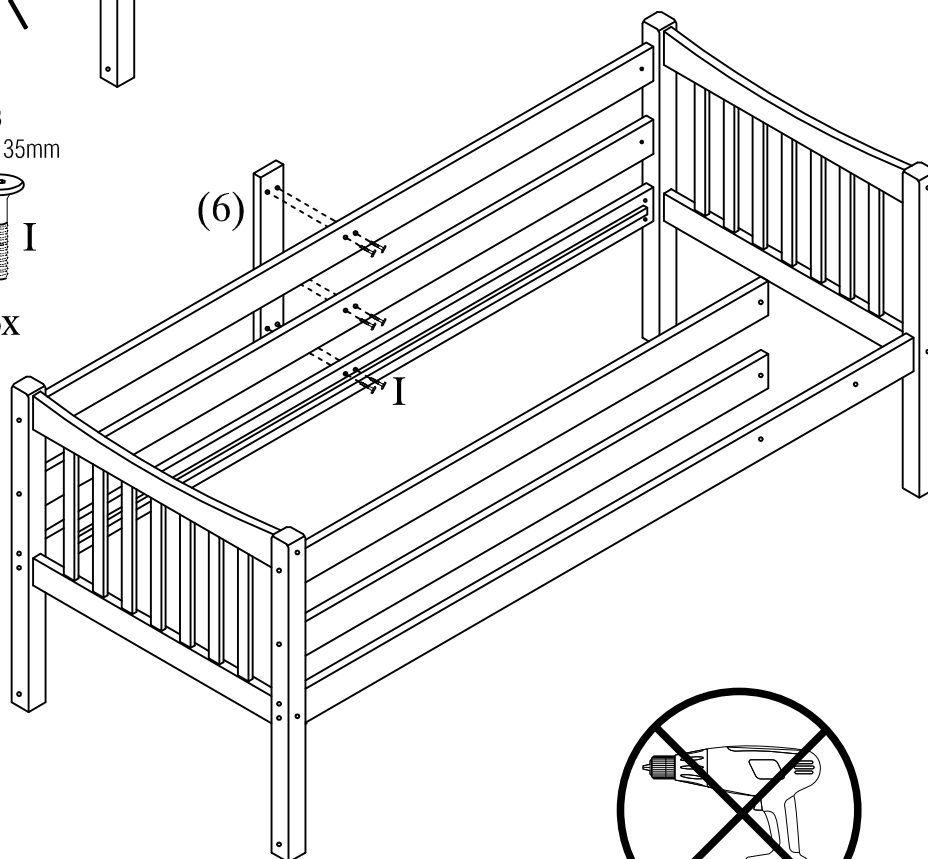


**4**

JCBB  
M8 x 35mm



6x

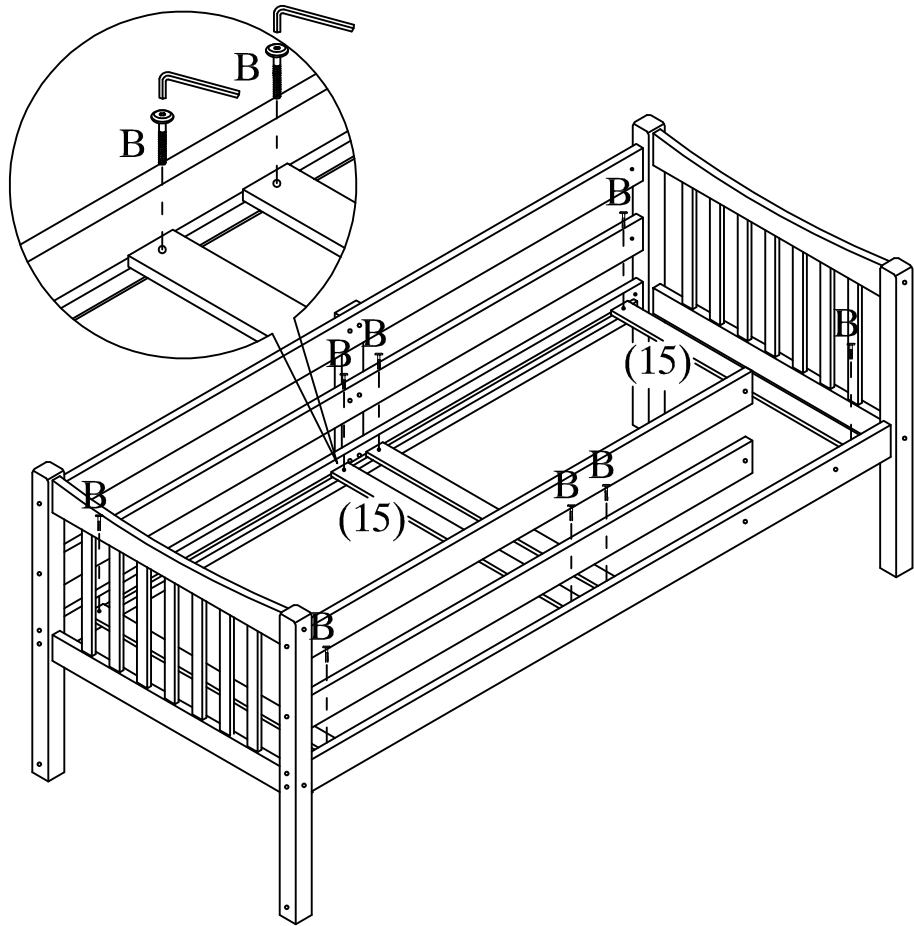
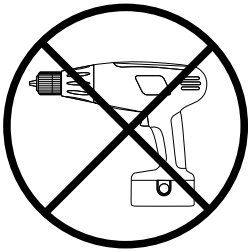


# 5

JCBC  
M6 x 35mm



8x



# 6

Csk  
M4 x 25mm



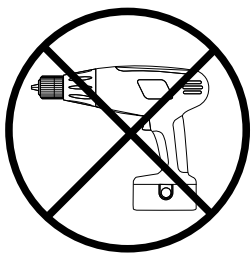
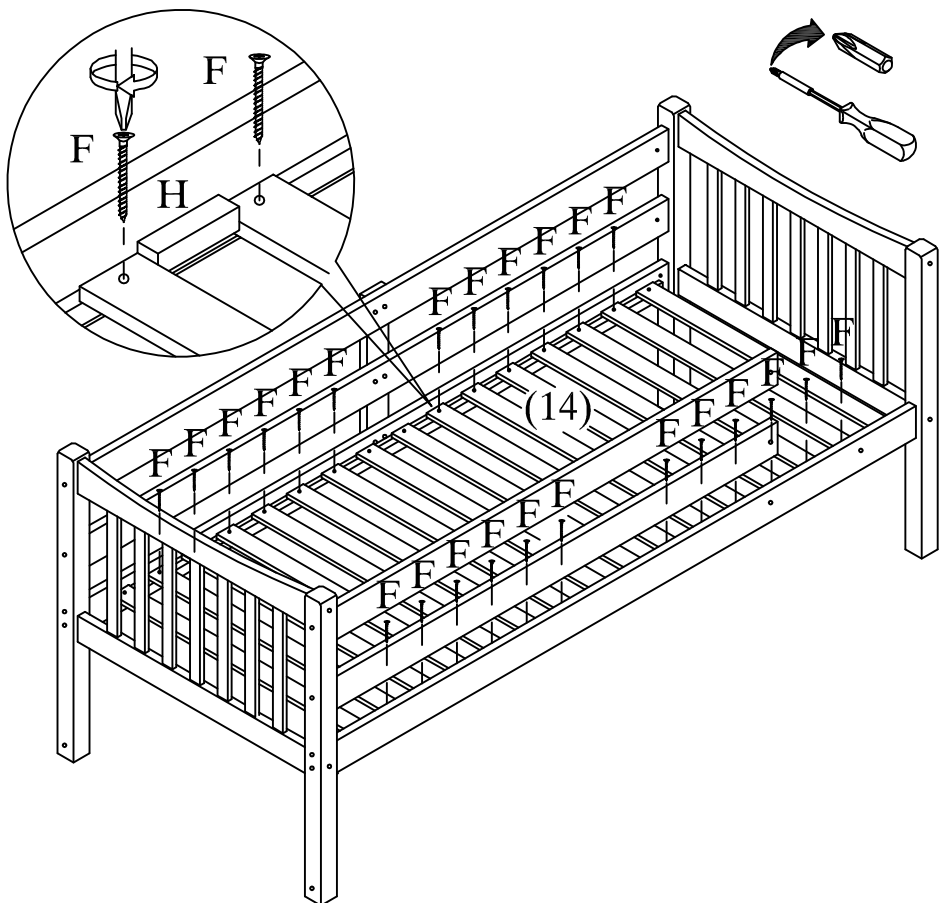
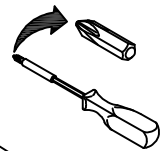
24x

Block



H

1x





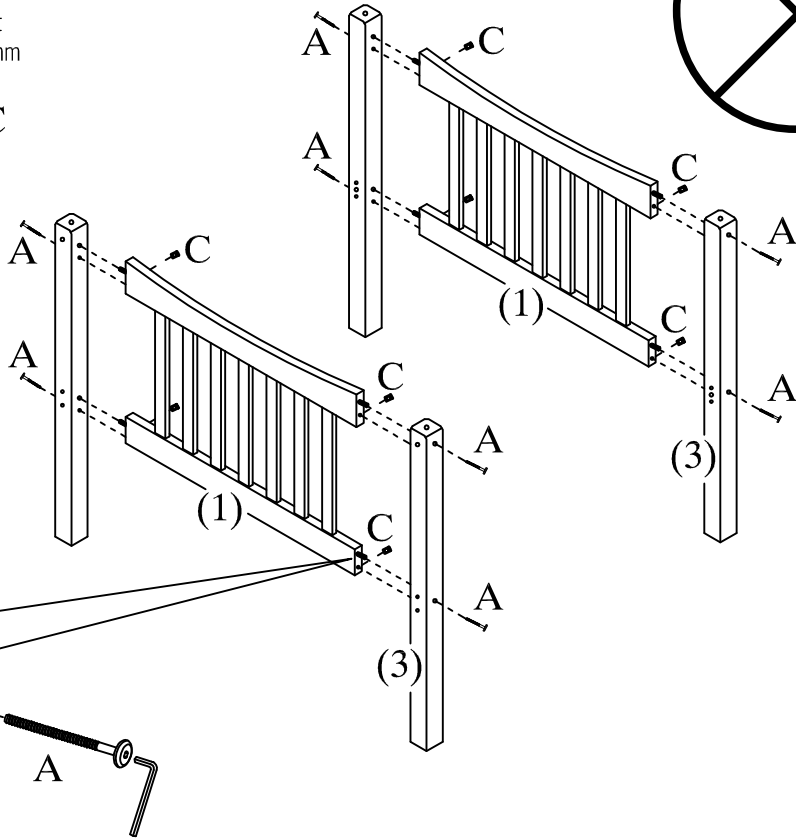
7

JBCB  
M6 x 90mm

Barrel Nut  
M6 x 15mm



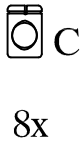
8x



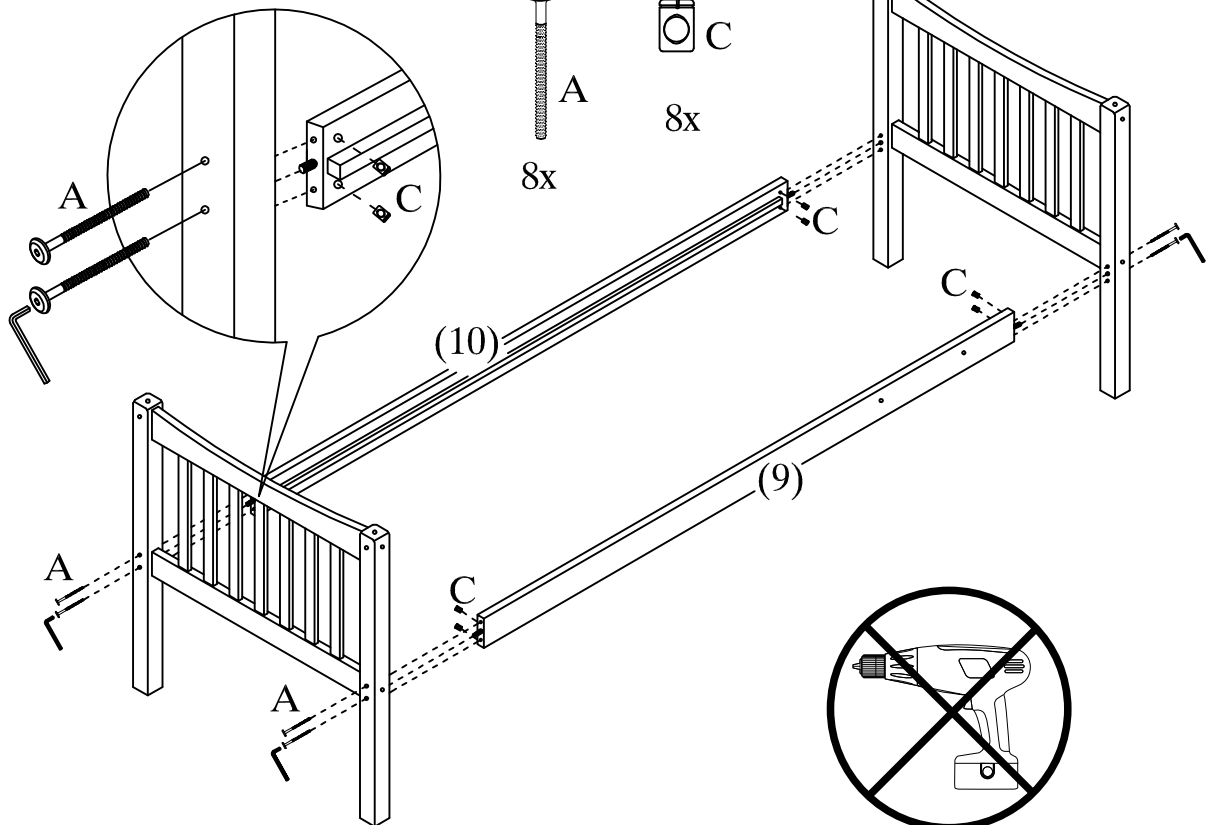
8

JBCB  
M6 x 90mm

Barrel Nut  
M6 x 15mm



8x

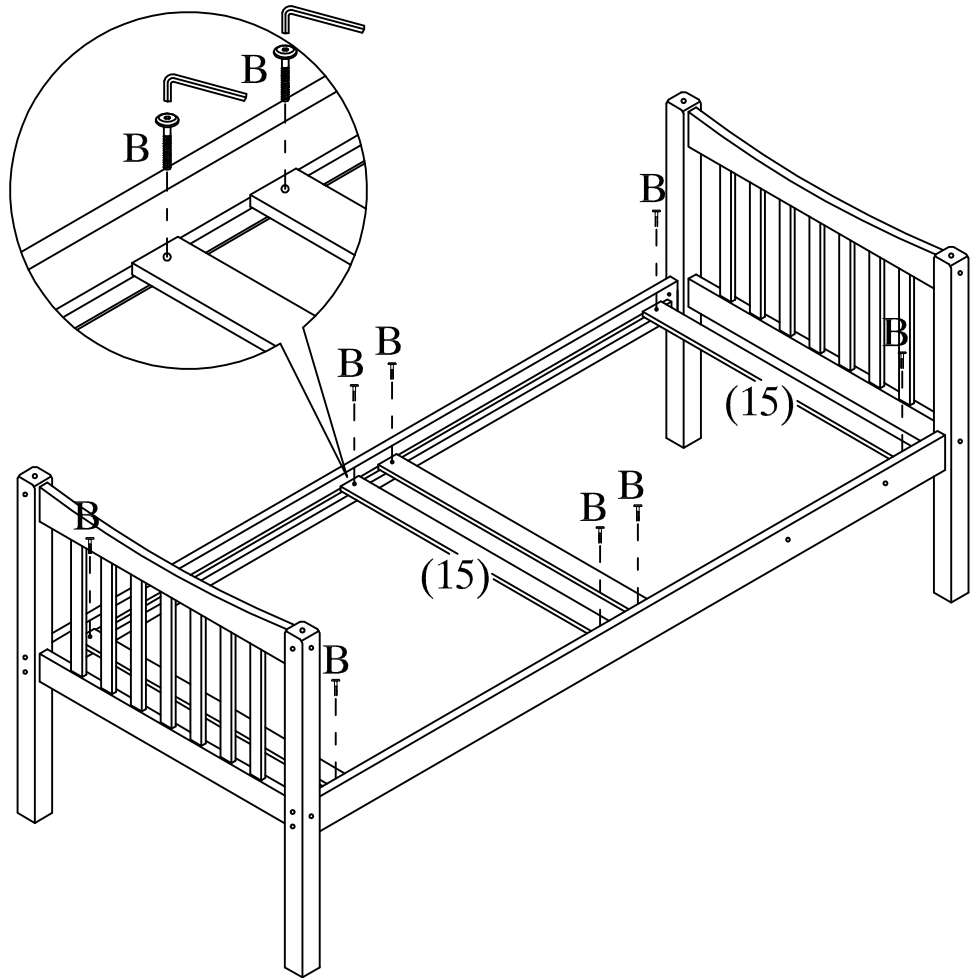
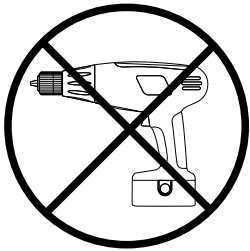


# 9

JCBC  
M6 x 35mm



8x



# 10

Csk  
M4 x 25mm



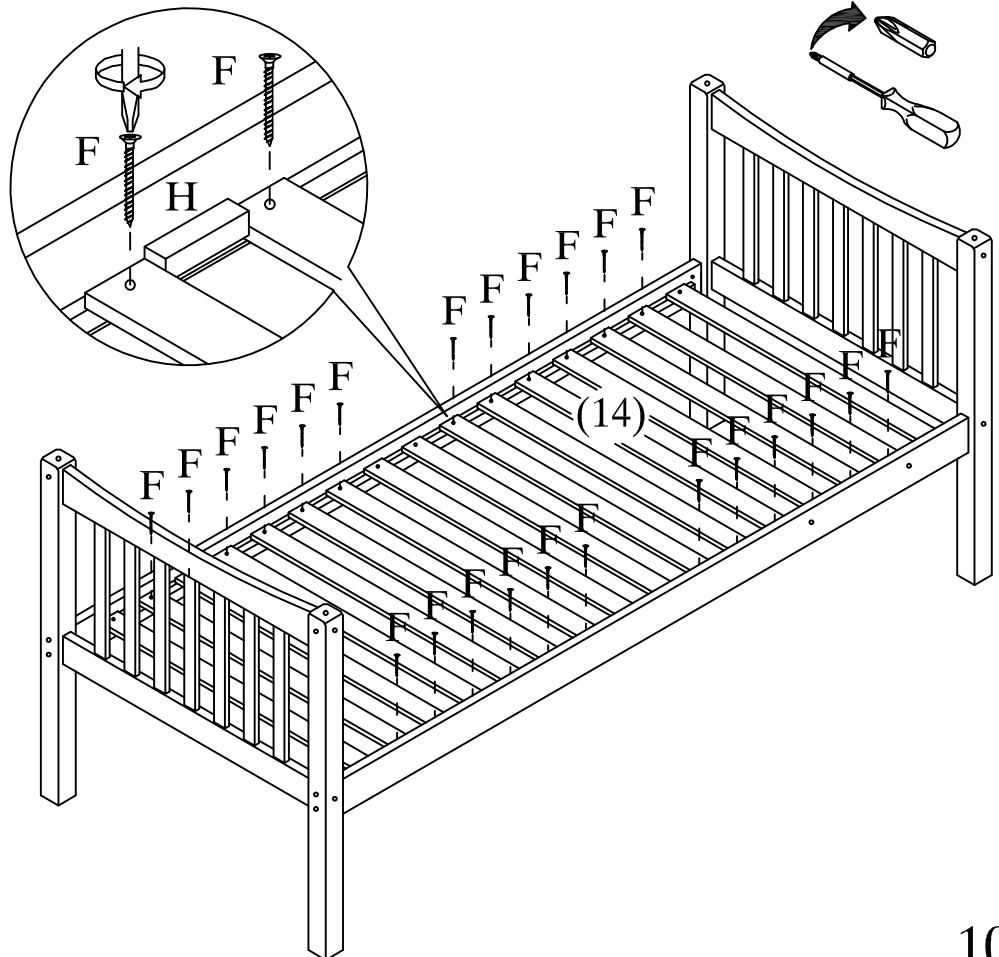
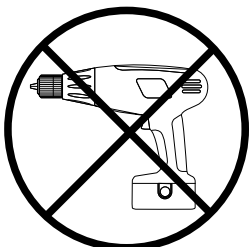
24x

Block



H

1x



# 11

Metal Pin  
M10 x 100mm

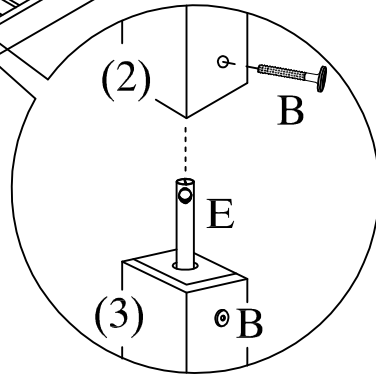
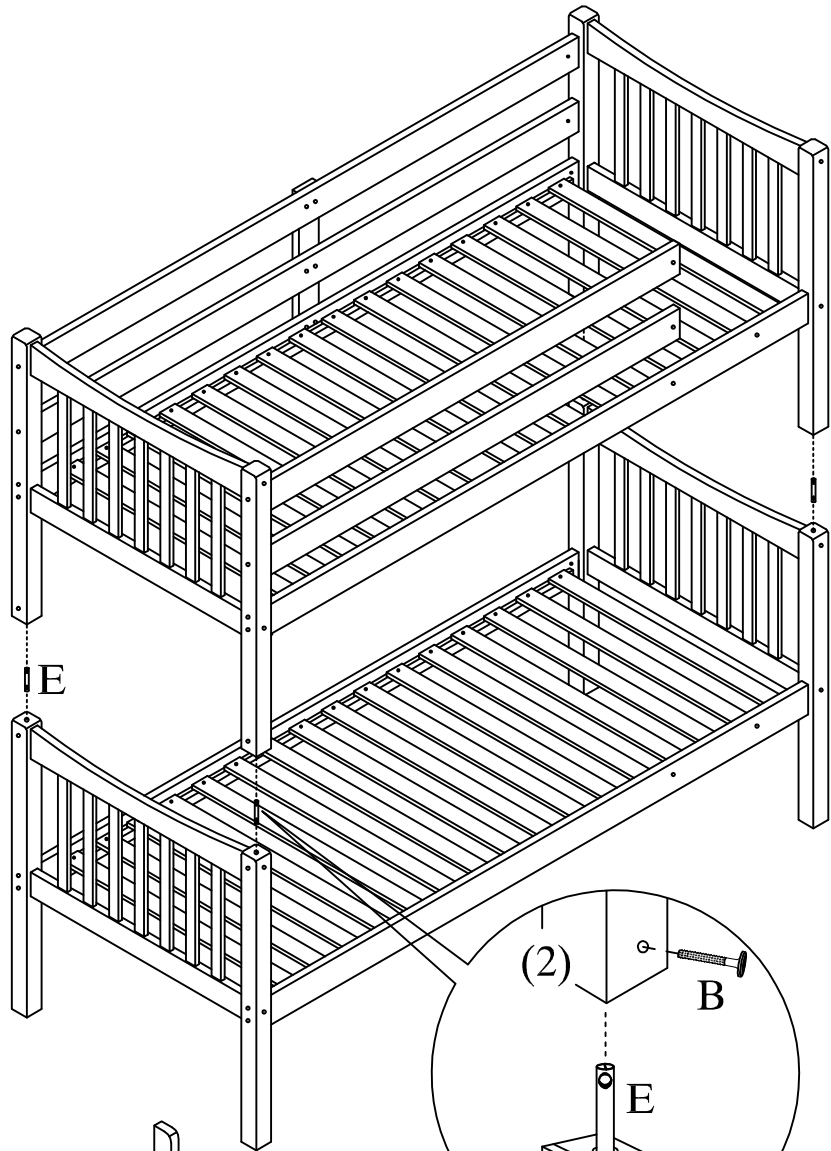
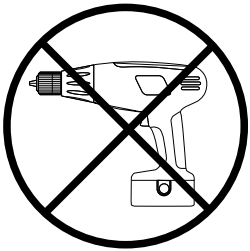


4x

JCBC  
M6 x 35mm



8x

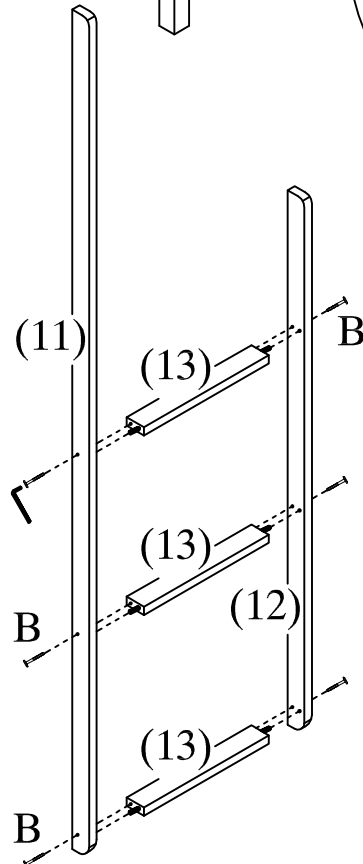
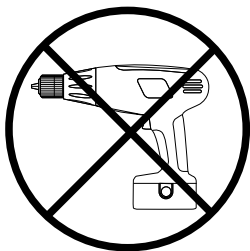


# 12

JCBC  
M6 x 35mm



6x



# 13

JCBB  
M8 x 35mm

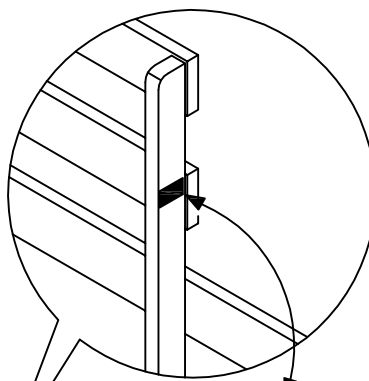
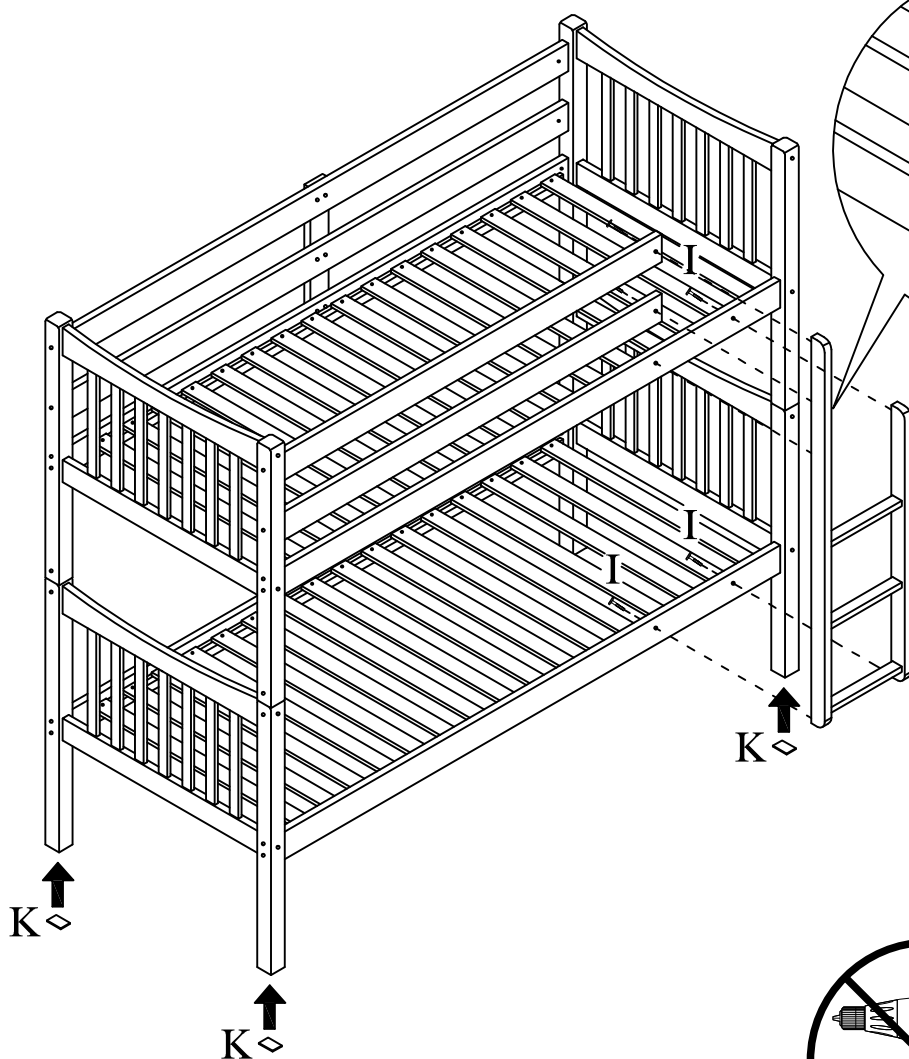


6x

Pad



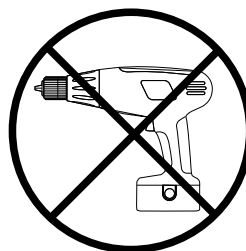
8x



**WARNING**  
THE MATTRESS  
SURFACE MUST NOT  
BE ABOVE THIS LINE →

**These labels are not to be removed.**

Adhesive non slip pad.



## **GENERAL CARE & MAINTENANCE**

We advise that when cleaning the product that a damp cloth is used.

Avoid the use of all household cleaners and abrasive.

Never push or drag the furniture.

Never attempt to move the furniture when fully loaded.

We advise that periodically all fixing are re-tightened.